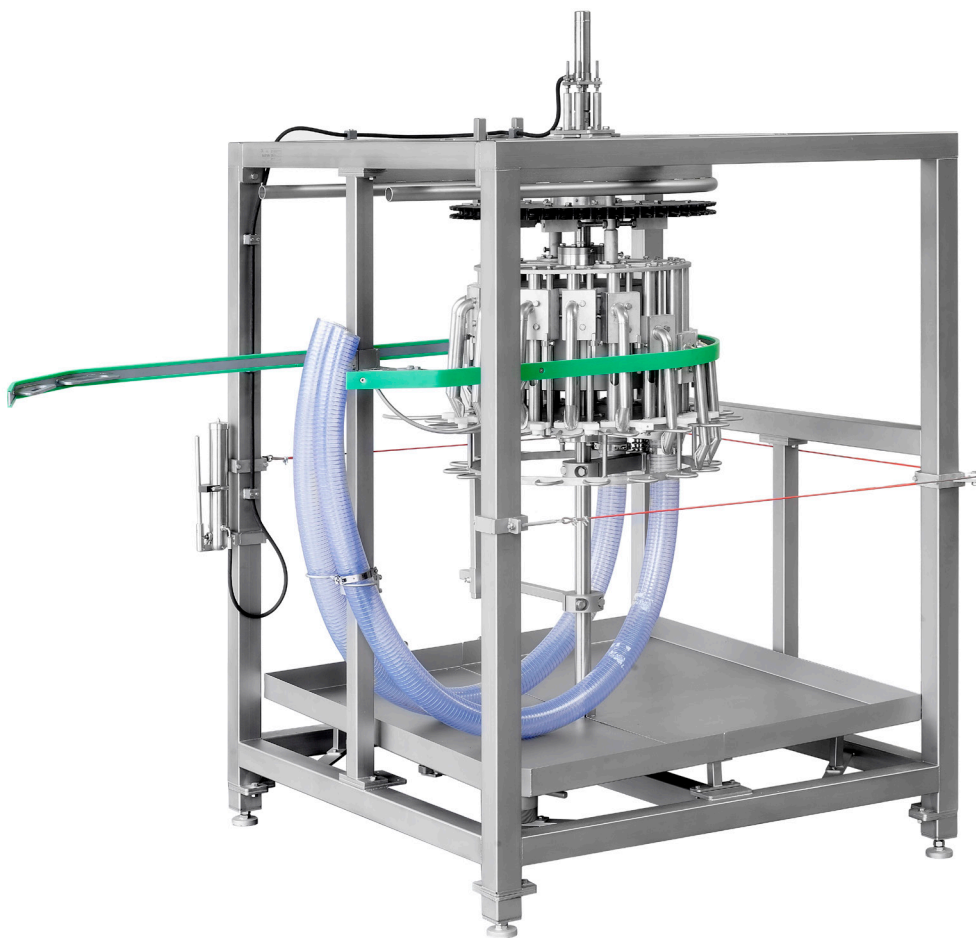




The Foodmate Automatic Final Control is a stainless steel constructed, automatic final control machine and lung remover. Each unit is fitted with a specially designed

vacuum suction pipe. The machine is height adjustable for various bird sizes and driven by the overhead conveyor.





AUTOMATIC FINAL CONTROL

Key Benefit:

- Allows for a maximum of 9,000 birds per hour

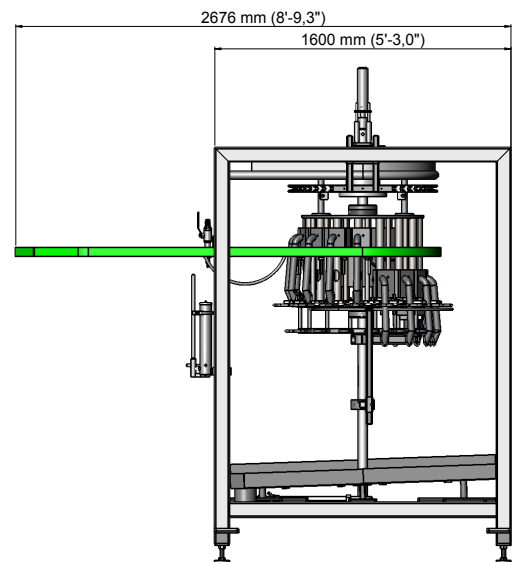
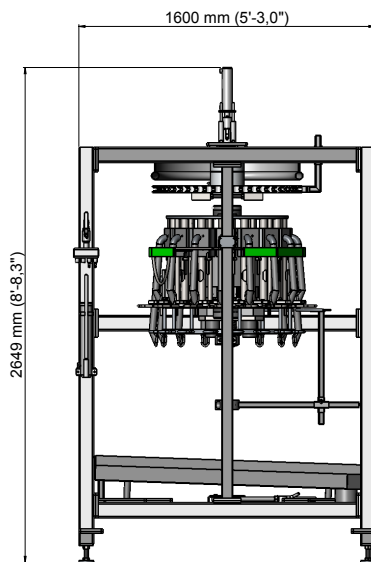
Foodmate is an equipment manufacturing company based in the Netherlands. Founded in 2006, we focus primarily on poultry processing, and we recently launched Foodmate US, expanding our worldwide distribution into North America. Driven by research, paired with unmatched knowledge and decades of experience, it's our mission to innovate, automate and bring cost-effective solutions to the industry.

Our product line spans a wide assortment of processing equipment designed for live bird handling, killing and de-feathering, eviscerating, chilling, weighing, cut-up systems, deboning, and more. In addition to manufacturing, we provide an extensive variety of spare parts and service for other processing equipment and reconditioned machines.

Our team represents decades of industry knowledge and experience resulting in the engineering, development and implementation of new designs for our clients and their ever-changing needs.

Technical Specifications:

- Stainless steel frame
- Units: 16
- Pitch: 6" or 8"
- Rotation: CW/CCW
- Conveyor type:
 - Pipe
 - T-track
- Machine dimensions:
 - Length: 2676 mm
 - Width: 1600 mm
 - Height: 2649 mm
 - Weight: approx. 750 kg



FOODMATE B.V.
 Röntgenstraat 18 • 3261 LK Oud-Beijerland
 P.O. Box 1405 • 3260 AK Oud-Beijerland
 The Netherlands
 Phone: +31-186 630240 • Fax: +31-186 630249
 info@foodmate.nl
 www.foodmate.nl

FOODMATE US, Inc.
 300 Wilbanks Drive, Ball Ground, GA 30107
 P.O. Box 4116, Canton, GA 30114
 U.S.A
 Phone: +1-678-819-5270 (U.S.) • Fax: +1-678-819-5273
 info@foodmateusa.com
 www.foodmateus.com

