

F-Line F50/F52/F60

Professional use
thanks to an
innovative
filling technology



F-LINE F50/F52/F60 compact and powerful



F-LINE the new filler generation of FREY

F50/F52/F60 is a vacuum stuffer for smaller production plants.

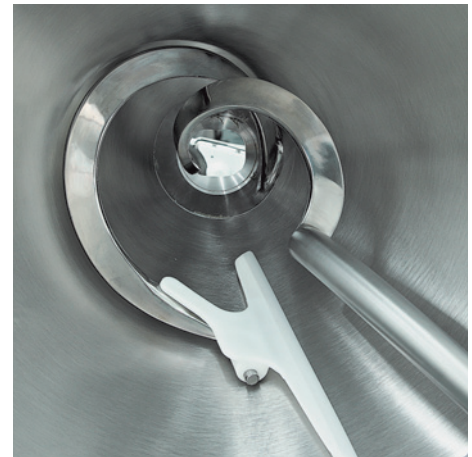
F-LINE F50 offers the same functions as bigger vacuum stuffers and is therefore a great success regarding the price and performance.

F50/F52/F60 masters every kind of filling such as straight-filling, portioning and linking.

The large dimensions of the chambers care for your product and ensure good production results.

F50/F52/F60 works with a well concipated rotor system made of stainless steel. The rotor is extremely resistant due to a plasma coating. No wearing out problems due to a well-thought construction and a most favourable material combination.

The vacuum pump is sucking off resting air bubbles (gaps) from the product. You get a perfect sausage aspect - the subsequent natural reddening is improved.

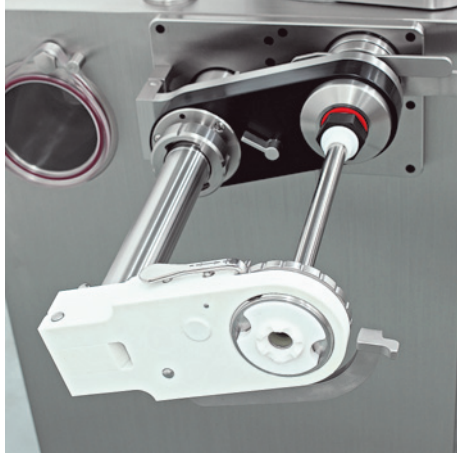


Linking gear

F-LINE F50/F52/F60 is equipped with a linking gear without limits for your production. It has especially been developed for the industry and has just proved itself. For filling big diameters, you can easily take off the linking gear by means of a quick-closing. Thereby, the way of the sausage meat is shortened and the greasing is minimized.

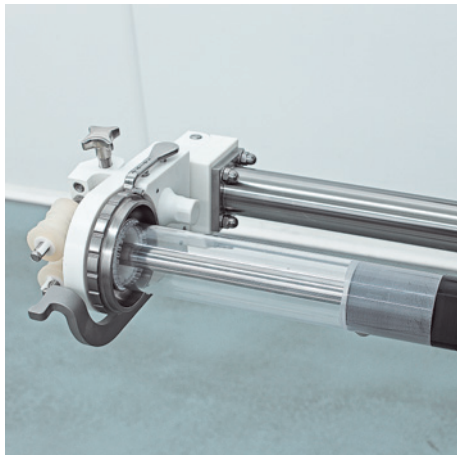


Optional accessories increase the use of your F-Line F50/F52/F60



Casing holder device

A casing holder device DHGN for natural casings, which is easy in handling is available as an accessory for FREY vacuum stuffers. The casing holder device makes the filling process faster and easier. The casing holder DHGN was especially designed for natural casings. With the help of our casing holder devices you always get tight and solid sausages at maximum filling speed. Extra skilled staff is not needed, also unskilled persons can work at the filling station. The casing holder device can easily be mounted and with the linking gearbox the device can be swivelled to side. The casing tension is infinitely adjustable.



DHGA

Compared with the DHGN2 the DHGA is additionally equipped with a ceramic bearing with support for the casing holder tube (DHR) and the roller kit (ROKI). The casing holder device can also be used for collagene and cellulose casings. The DHGA ensures a continuous advance of the casing during the linking process.

The DHGN2 and DHGA are maintenance-free because no drive is necessary.

Casing spooler

Furthermore, we offer pneumatic casing spoolers (DA2012).

They save time to increase the productivity of the filling station. In order to come up to your product diversity, you can receive special filling tubes or other attachments and respectively additional equipment from us, individually made for you.



Control technology F50 - CAN60

Perfect in detail



F-LINE F50 is equipped with a **CAN60** control.

A most modern control technology with CAN-Bus-system which leaves nothing to be desired.

- **Weight input** can be chosen between 5-10.000 g (from 5-999 g in 0,1 gr. steps).

- **Number of links** from 0 - 9,9 turns

- **Normal- and continuous operation**

- **Digital quantity counter**

- **Portioning pause**

Pauses between the portions are free selectable

- The **quantity counter**

indicates how many pieces have been portioned, linked or filled. The counter can be reset to zero whenever you want.

- The **automatic stop control** stops automatically after the desired quantity has been produced. For skinned casings the length of the number of pieces per stick are always the same. After spooling a new casing F-LINE F50 has simply to be started, everything else is done automatically.

- **99 filling programs**

can easily be stored in the memory of the machine. The advantage: No loss of time for storing the data. Your sausages are equally portioned and linked.

- **Relieve / sucking back mechanism**, infinitely adjustable

- **1st portion makeweight** - infinitely variable

- **Automatic indication of service intervals**

F-LINE F50 counts the operating hours of your vacuum pump and indicates automatically if an oil change is necessary

- **Serial electric pulse control for clipping machines**

F52, IPC control TC 266 with touch screen operation

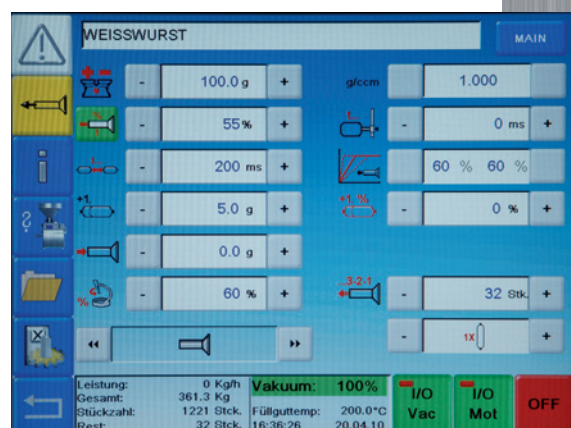
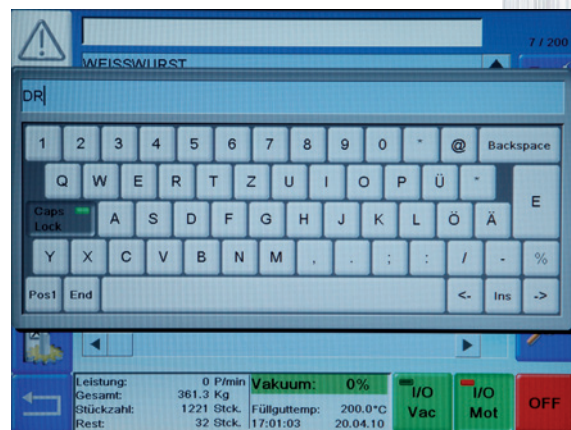
The ultimate stuffer control system with all variety of functions consists of an industrial personal computer with 266 MHz and an ergonomic touch screen panel of 8,4".

Survey of functions:

- **Weight input**
can be chosen between 0.1 and 100,000 g.
(from 0,0 - 999,9 g in 0,1 g - steps)
- **Number of links** from 0 - 9,9 turns
- **Clipping time**
- **Pre-selection of pauses** for portioning and linking
- **Normal- and continuous operation**
- **Filling programs with table of contents**
- **Programs for cooked sausages**
- **Service- and maintenance programs**
- **Diagnosis programs**
- **Counter of quantity and pieces, pre-selection of pieces**
- **Twist delay / twist advance of the linker**
- **1st portion makeweight**
- **Speed control**
infinitely variable also during the filling process
- **Digital vacuum control**
optionally available is an electronic control valve for the stop of the machine and an automatic cleaning of the vacuum pump.
- **Automatic pressure regulation and torque control**
- **Electronic pulse control for clipping machines**
- **Relieve/sucking back mechanism**
- **Control of CL and CLPS-line**
- **Control of the Pattyformer PF130**
- **Different languages adjustable**
- **Program administration with protection**
- **Software update per USB stick**
- **Interfaces: USB, Ethernet**
10/100 Mbps
- **Online connection with your office PC**
via TCP/IP network connectivity
- **Visualizing of linking process**
- **Logbook of the filling process and errors**

Interface/Connection

The filling machine can be connected with your computer network. You can now control your filling machine from your office. The connection is done via the Freeware Software VNC which offers a full functional diversity per telecontrol. All settings can be done from your office. However the starting and stopping function of the machine can only be activated via the operating bar.



F50/F52/F60 -Powerful, practical and conforming to CE- standard



The standard F-LINE F50 model is equipped with a divisible **90 litres filling hopper**. The charging of the hopper as well as the intermediate cleaning is made easier.

Optionally we offer for our F-LINE F50/F52/F60 a **hopper with 60 liters**. The low filling height makes a power-saving charging possible. The hopper is protected with an electronically locking protective grate.

Due to the detachable accessories holder every accessory is always within reach.

Thanks to the compact dimensions F-LINE F50/F52/F60 finds everywhere a place.



Drive concept

You can rarely hear the **FREY Vector Drive** of F-LINE F50. This modern drive system ensures high portioning exactness of the F-LINE F50.

The new **Frey Top-drive** of F-Line F52 offers a drive solution which is optimal in cost and ensures a high portioning and exactness performance.

F-LINE F60 has a **Servo drive** with positioning regulation and offers highest portioning exactness and performance in this class.

We optimized the electric consumption of the electronic drives which now work extremely energy-efficient.



Cleaning and hygiene

An easy cleaning is the basic requirement for best hygienic conditions in the production.

Therefore, FREY-stuffers have smooth external contours.

The machine housing is completely made of high-quality stainless steel. The expenditure for cleaning and maintenance is very low due to the easy disassembling of only five parts and neat contours between the parts.

Convincing ergonomic details

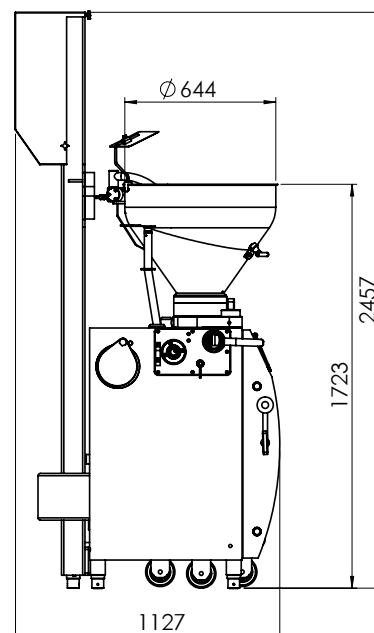
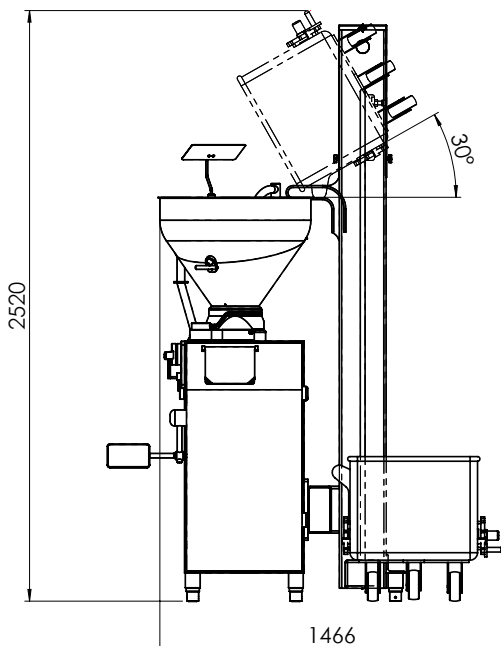


Liftmax

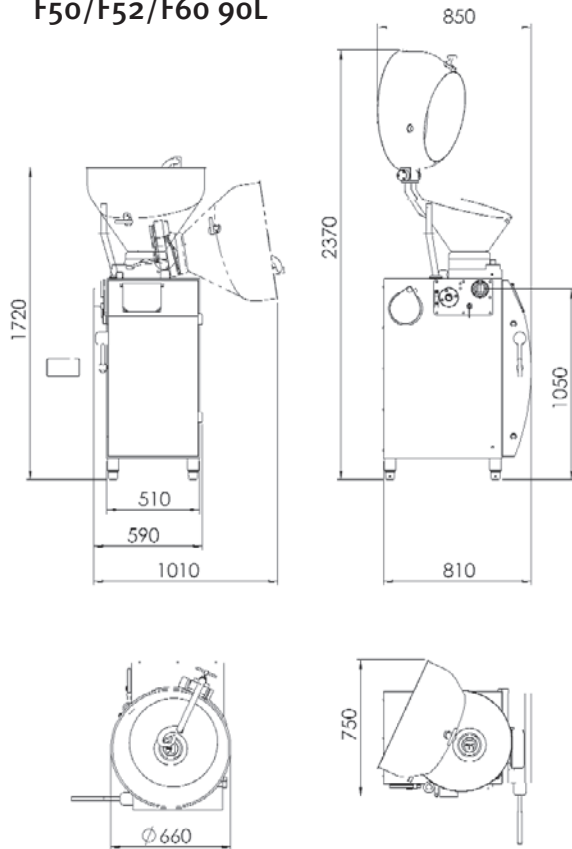
Liftmax from FREY is the ideal loading device for your vacuum stuffer. Without effort the mounted lift moves and tilts automatically the 120-liters-trolley in the filling hopper. Due to the connection with the filling hopper the stability is guaranteed by requiring few place. The operation is done via lifting keys on the case door. Liftmax is optionally available ex works for the models F-Line F52 and F60.

Services

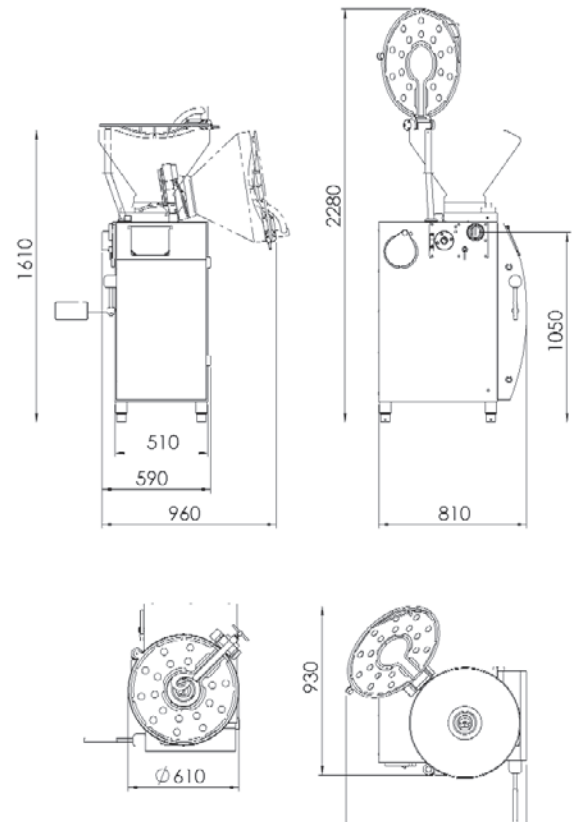
are nowadays more and more important. The reliability of our demonstrators and technicians stands for the high quality of FREY products. Our stuffers are well-thought out even in the smallest details. They are well-known for their long service life. Our trained staff gives you also advice by phone, fax or email in order to be able to help you by return.



F50/F52/F60 90L



F50/F52/F60 60L



Technical data:

Capacity of the filling hopper
 Maximum filling performance
 Filling pressure up to max.
 Capacity of the chambers
 Wings
 Portioning range
 Voltage / Tension
 Rotor system drive
 Control type
 Total connected load max.
 Suction power of the vacuum pump
 Machine weight (net)*
 Portioning speed max

F50

60/90 liters
 2.200 kg/h
 30 bar
 82 g
 8
 5-100.000 g
 400 V / 50 Hz
 Frey Vector Drive
 CAN60
 4,40 Kw
 16 cbm/h
 390 kg
 300 port/min

F52

60/90 liters
 2.200 kg/h
 40 bar
 82 g
 8
 5-100.000 g
 400 V / 50 Hz
 Frey Top Drive
 TC 266
 4,70 Kw
 16 cbm/h
 400 kg
 450 port/min

F60

60/90 liters
 2.900 kg/h
 40 bar
 82 g
 8
 5-100.000 g
 400 V / 50 Hz
 Frey Servo
 TC 266
 4,20 Kw
 16 cbm/h
 400 kg
 500 port/min

Special voltage on request (max. weight increase 80 kg)
 Optional: mobile frame
 Optional: electronic control valve for vacuum

Technical modifications are subject to change.

Accessories:

Rotor extractor, Outlet cleaner
 Accessories holder, Counter screw
 Grease gun,
 Accessories holder

Filling tubes:

Flansch 73 12/24/30/42 mm
 Flange 35 (linker): 14/20 mm

Heinrich Frey
 Maschinenbau GmbH

Fischerstraße 20
 D-89542 Herbrechtingen
 Germany

Phone: +49 73 24 / 172 0
 Fax: +49 73 24 / 172 44

Internet: www.frey-online.com
 Email: info@frey-online.com