



## NECK CUTTER

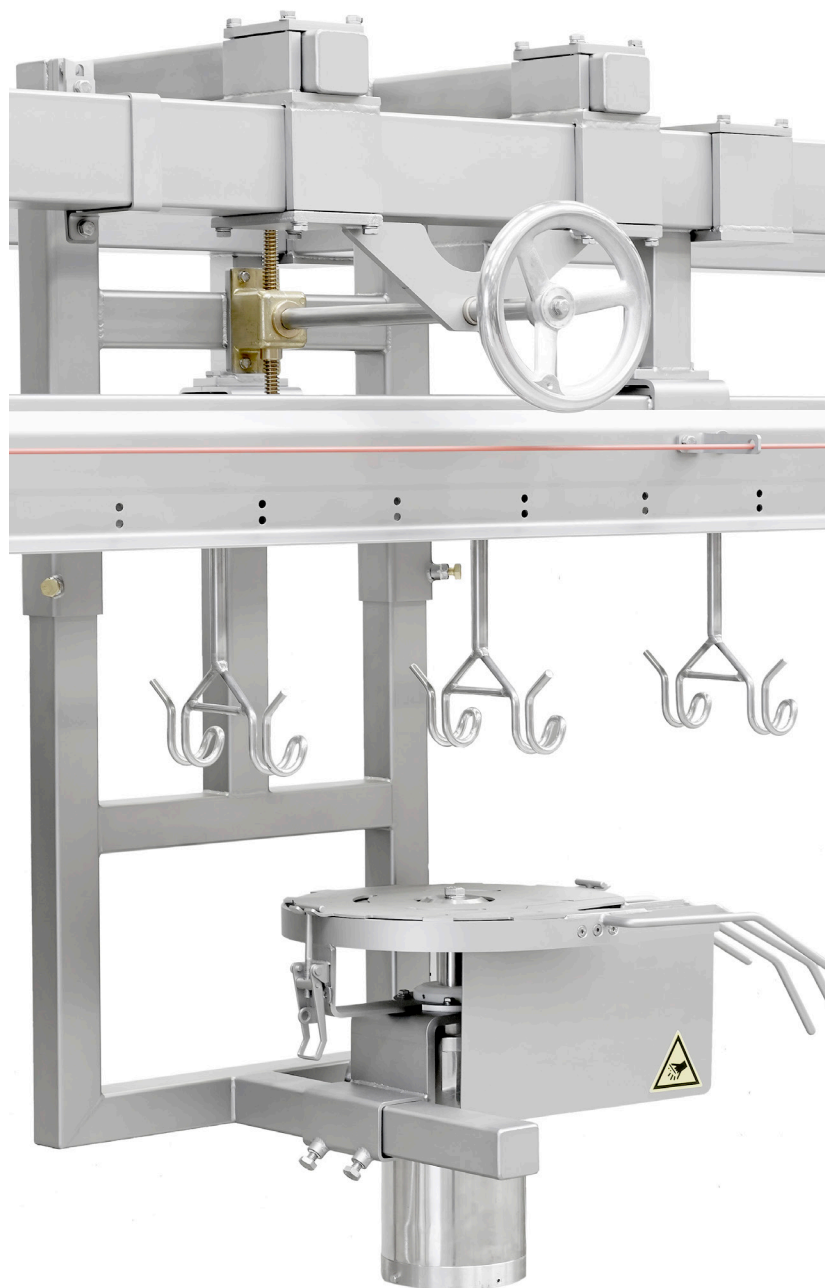


**foodmate**

Poultry Processing Systems

The Foodmate Neck Cutter is designed to cut off necks on the cut-up line. Flexibility is built into the design allowing for height adjustments to accommodate the different cut lengths. The Neck Cutter can be installed on current

configurations or newly constructed Frame and Flex Lines. It contains a stainless steel frame and motor.



Our mission is to innovate, automate and bring cost-effective solutions to the industry.

**Key Benefit:**

- Allows for a maximum of 6,000 birds per hour

Foodmate is an equipment manufacturing company based in the Netherlands. Founded in 2006, we focus primarily on poultry processing, and we recently launched Foodmate US, expanding our worldwide distribution into North America. Driven by research, paired with unmatched knowledge and decades of experience, it's our mission to innovate, automate and bring cost-effective solutions to the industry.

Our product line spans a wide assortment of processing equipment designed for live bird handling, killing and de-feathering, eviscerating, chilling, weighing, cut-up systems, deboning, and more. In addition to manufacturing, we provide an extensive variety of spare parts and service for other processing equipment and reconditioned machines.

Our team represents decades of industry knowledge and experience resulting in the engineering, development and implementation of new designs for our clients and their ever-changing needs.

**Technical Specifications:**

- Stainless steel frame and motor
- Motor (IP66) power is 0,75 kW
- Machine dimensions:
  - Length: 769 mm
  - Width: 550 mm
  - Height: 1362 mm
  - Weight: approx. 90 kg

