

VC999 K6

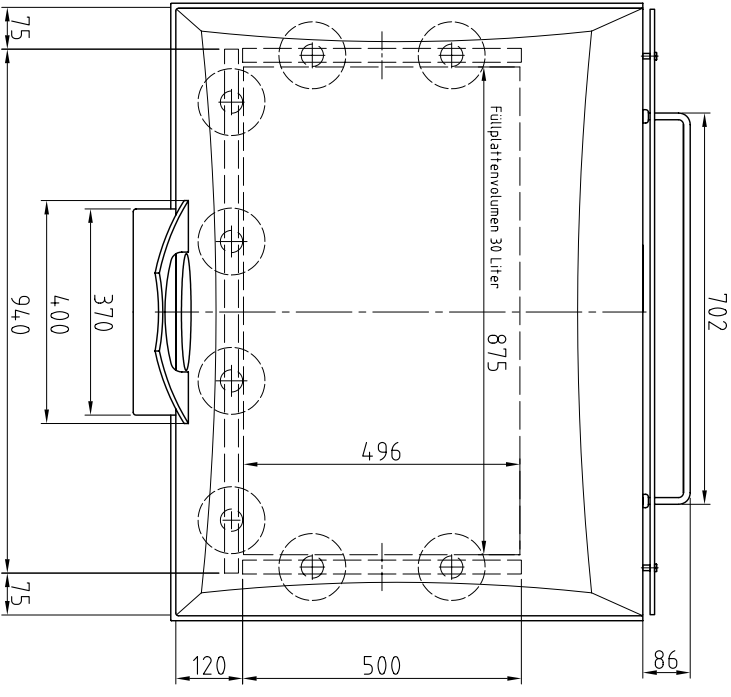
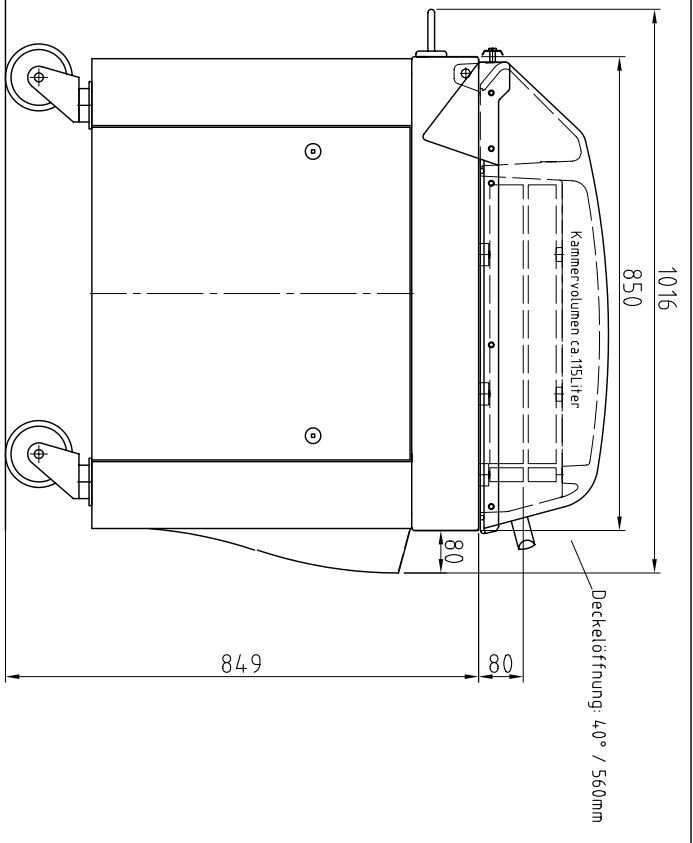
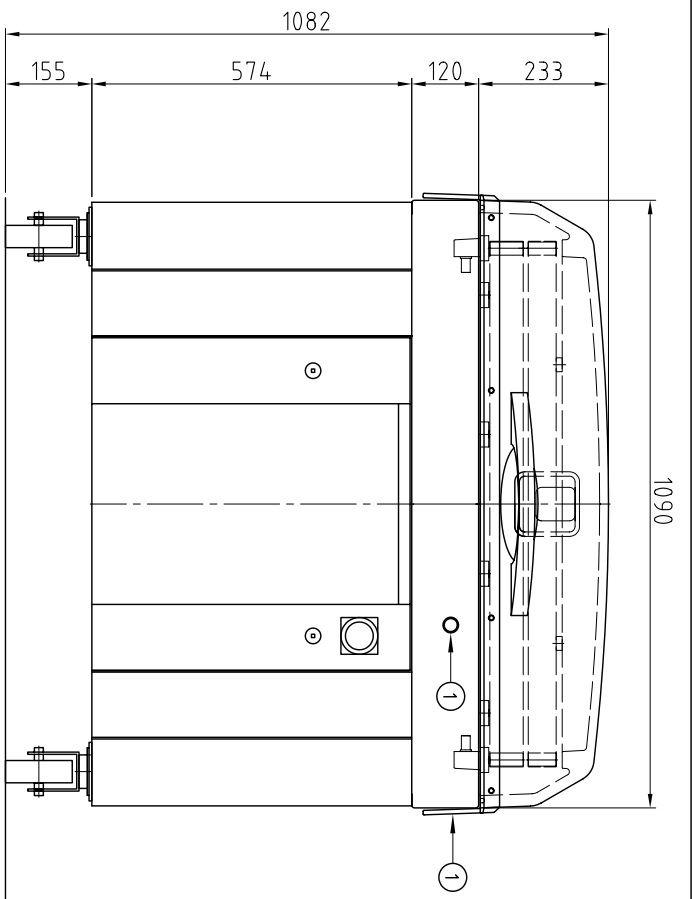


VC999 K6 - compact performance with three sealing bars

All the K-series machines are designed to be ergonomically attractive and extremely user-friendly. The "Chamber" is located in the lid, which allows for an easily cleaned flat stainless steel chamber base. High sealing pressure and control ensures good sealing even with coarse fold formation.

Technical data

Model	VC999 K6
Outside dimensions of machine (w x h x d)	1090 x 1082 x 1016 mm
Inside dimensions per chamber (w x h x d)	1045 x 210 x 605 mm
Number of sealing bars per chamber	3
Sealing bars length	940/2 x 500 mm
Power connection	400 V / 3 / 50 Hz / 9 kW / 25 AT
Compressed air connection	5 - 8 bar, D _i 9 mm
Vacuum pump	220 m ³ /h
Maximum vacuum	1 mbar, 99.9%
Vacuümising up to Evaporation Point	Standard
Soft-air pre-ventilation	Standard
Double sealing	Standard
Automatic chamber closing	optional
Cycles/min. per chamber	2 - 3
Weight approx.	478 kg
Gas flushing MAP	optional, D _i 7 mm



① nur bei K6A / K6NA

VC 999® VC 999 / K6/K6N/K6A/K6NA