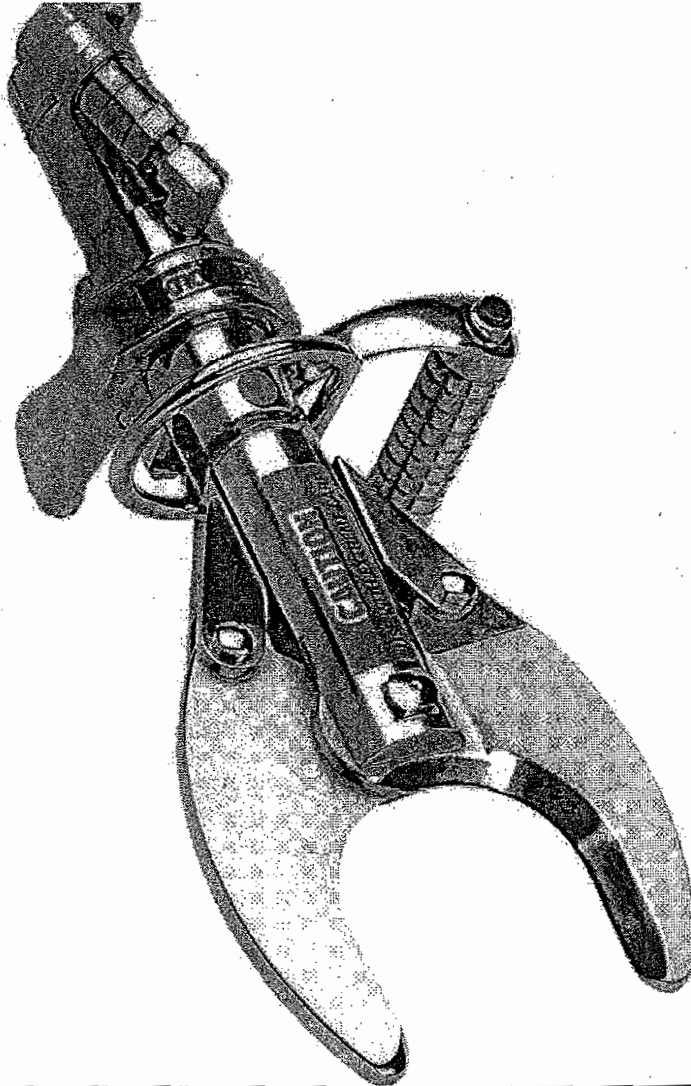




MACHINERY & AUTOMATION FOR THE MEAT PACKING INDUSTRY



INSTRUCTION MANUAL



Members of:

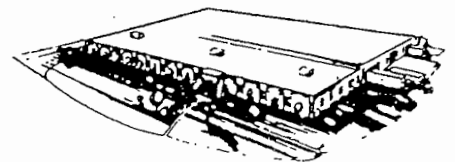
AMI
FPM&SA
MPSIC
AAMP
NMA

BEST & DONOVAN

5570 Creek Road, Cincinnati, OH 45242, USA

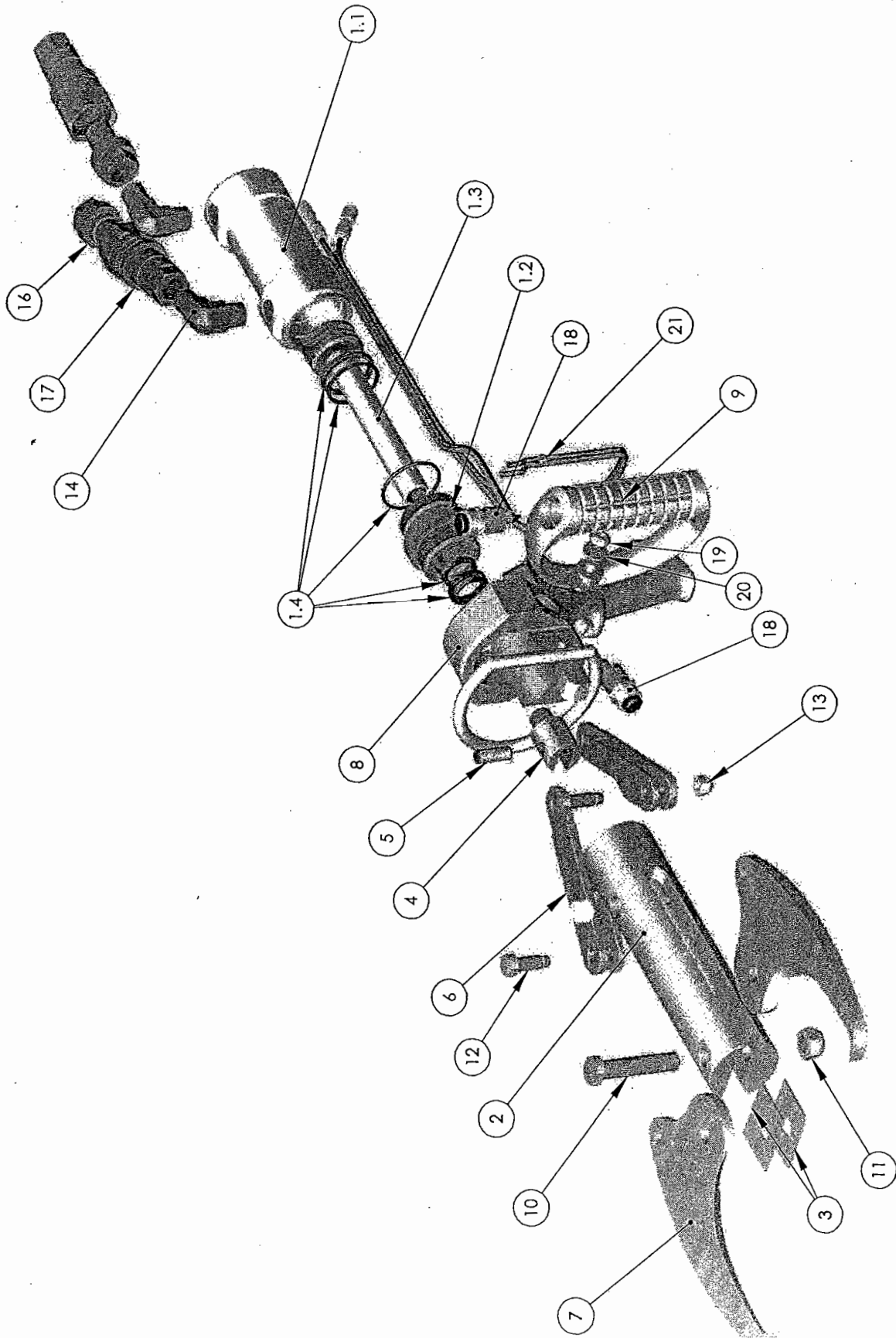
TOLL FREE: 1-800-553-2378
TELEPHONE: 513-791-9180
FAX: 513-791-0925

www.bestanddonovan.com





MACHINERY & AUTOMATION FOR THE MEAT PACKING INDUSTRY



Members of:

- AMI
- FPM&SA
- MPSIC
- AAMP
- NMA



MACHINERY & AUTOMATION FOR THE MEAT PACKING INDUSTRY

ITEM NO.	QTY.	PART NO.	DESCRIPTION
1	1		HYDRAULIC CYLINDER COMPLETE
1.1	1		HYDRAULIC CYLINDER BODY
1.2	1		HYDRAULIC CYLINDER HEAD
1.3	1		PISTON & ROD ASSY
1.4	1		SEAL KIT
2	1		CLEVIS TUBE
3	2		SLIPPER PLATE S/S
4	1		YOKE
5	1		YOKE PIN
6	2		CAM LINK
7	1		SCISSOR BLADE STANDARD (PAIR)
8	1		PISTOL GRIP
8.1	1		PISTOL GRIP ONLY
8.2	2		CAP SCREW M8x20
8.3	1		HANGER RING
8.4	2		M4 x 45 ROLL PIN
9	1		D-HANDLE
10	1		PIVOT BOLT
11	1		PIVOT BOLT NUT
12	2		CAM BOLT
13	2		5-16UNC ACORN NUT
14	2		HYDRAULIC ELBOW MALE
15	4		STRAIGHT CONNECTOR 4mm
16	2		HYDRAULIC COUPLER MALE
17	2		HYDRAULIC COUPLER FEMALE
18	2		PILOT VALVE
19	1		M8x20 BUTTON HEAD SCREW
20	1		M8 FLAT WASHER
21	2		M6x6 GRUB SCREW
22	1		4mm TWINLINE

Members of:

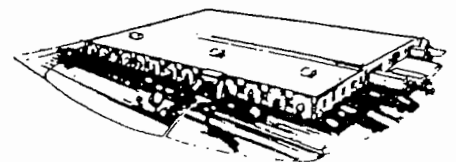
AMI
FPM&SA
MPSIC
AAMP
NMA

BEST & DONOVAN

5570 Creek Road, Cincinnati, OH 45242, USA

TOLL FREE: 1-800-553-2378
TELEPHONE: 513-791-9180
FAX: 513-791-0925

www.bestanddonovan.com





BEST & DONOVAN

HYDRAULICALLY OPERATED

MODEL "E-22" PIG FOOT CUTTER

**MODEL "E-22" LAMB & SHEEP
NECK & TROTTER (FOOT) CUTTER**

MODEL "E-30" LAMB HORN CUTTER

PARTS & SERVICE MANUAL



BEST & DONOVAN

5570 CREEK ROAD, CINCINNATI, OHIO 45242, USA
TOLL FREE: 1-800-553-2378 TEL.: 1-513-791-9180
FAX: 1-513-791-0925 CABLE: WEPCO

MAINTENANCE INSTRUCTIONS

WARNING

Always exercise care when operating or performing maintenance, repairs and adjustments. Always disconnect electrical or hydraulic connector before attempting to work on the machine. Be sure all electrical machines are properly grounded. Never place your hand, fingers, arm, or any part of your person between the blades at any time. Only grip the machine by the handles provided.

POWER UNIT

4.5 gpm Electric Over Oil Hydraulic Pump

7.5 H.P. (Horsepower)

Pressure Setting 1,300 p.s.i. (pre-set)

Oil Shell S7931 (or equivalent)

Tank Capacity = 38 litres

INSTALLATION

- (1) Hydraulic power unit should be installed above the working level of the Model "H-30".
- (2) Add Shell Tellus S7931 oil (or equivalent).
- (3) Do not readjust any pressure settings. These have been pre-set at factory.
- (4) Connect hydraulic hoses marked "PRESSURE" and "RETURN". Fit Hansen female coupling to PRESSURE hose. Fit Hansen male plug to RETURN hose.
- (5) Wire electric motor to turn in direction indicated by arrow.
- (6) Connect standard air supply as indicated.

"H-30" HANDPIECE

- (A) Install one (1) metre of door track rail parallel with dressing chain for balancer.
- (B) Couple safety chain and suspend handpiece from balancer.
- (C) Adjust balancer to allow handpiece to hang at rest at animal's head level.
- (D) Connect hydraulic hoses to handpiece as per instructions

- (E) Connect air control hose to handpiece and to pneumatic control circuit.
- (F) Start power unit from remote switch mounted close to operator. (To be supplied by customer).
- (G) Oil all pivot points.
- (H) Pull trigger and repeat until all air is cleared from hydraulic oil.
- (I) Keep left hand away from cutter and switch off motor when not in use especially during smokebreaks, meal breaks and when kill is finished.

ROUTINE CARE

- (1) Wash handpiece thoroughly every night and apply rust preventative oil.
- (2) Once per week remove blades from Clevis, clean and apply smear of ROCOL between head faced and to pivot pin.
- (3) Reassemble ready for use.
- (4) If blades are blunt or chipped use oil handstone to sharpen.
- (5) If blades are badly chipped, build up with hard facing material (gas or electric welding).
- (6) If at all possible do not remove or change shape of flat areas at ends of blades. These are blade edge protectors. Blades are flame hardened to approximately 48 Rockwell

OPERATOR PRECAUTIONS

①

Be alert at all times. Think safety.

②

Respect your equipment and know how to properly operate it.

③

Be smart and wear safety glasses. But don't wear watches, bracelets, rings or necklaces. Also don't wear loose fitting clothing or neckties.

④

Also wear proper footwear to eliminate the possibility of slipping.

⑤

Never place fingers, hands or any part of your person between blades of Dehorner.

If a blade jams, notify supervisor or maintenance department.



SPECIFICATIONS



OVERALL LENGTH:	16 Inches (407 mm)
PRESSURE:	1,300 p.s.i.
WIDTH:	2-3/4 Inch (70 mm)
HEIGHT:	11 Inches (279 mm)
BLADE SPECS:	OPENING: 3½" (88.9mm) DEPTH: 4" (101.60mm)
TOTAL WEIGHT:	5-1/2 Kg.
MATERIAL BODY:	Aluminum, Bronze, Steel (Chrome)
MATERIAL BOLTS:	High Tensil Steel
MATERIAL NUTS:	Lock Type
CYLINDER:	1-1/2 Inch Bore X 3/4 Inch Rod X 2-1/2 Inch Stroke
RECOMMENDED COUNTERBALANCER:	# 6342800 Range 15-25 Lbs. (6-11 Kg.) Cable Travel 7 Feet (2.1 M)

MODEL "H-30" & "E-22"

PARTS LIST

<u>PART NR.</u>	<u>REF. NR.</u>	<u>DESCRIPTION</u>
9730100	21	Trigger
9756700	23	Pistol Grip Handle Only 2-Hole
9756800	23	Pistol Grip Handle Only 4-Hole
9739903	24	3-Way Air Valve
9739905	25	Adjustable "L" Fitting
9739907	26	Hose Fitting
9754900	27	Hose
9730800	28	Connector
9730900	29	Air Hose 3/16" (5m)
9731000	** 30	Pincer Blade (matched pair with #9732700)
9734500	32	Hanger Ring Assy
9731300	+ 33	Cylinder Head (order under Part #9735250)
9731400	* 34	"O" Ring (order under Part #9735050)
9731500	* 35	"O" Ring (order under Part #9735050)
9731600	36	Cam Link
9731700	37	Yoke
9731800	* 38	Piston Seal, G.T. Type & Back Up Rings (order under Part #9735050)
9731900	+ 39	Piston Rod & Piston (order under Part #9735250)
9732000	+ 40	Motor Cylinder (order under Part #9735250)
9732100	41	Reducing Nipple (hex)
9732200	42	Return Socket, Cylinder
9732300	43	Power Plug, Cylinder
9732400	44	Reducing Nipple (hex)
9732500	45	Nut, Blade Pivot Bolt
9732600	46	Blade Pivot Bolt
9732700	** 47	Blade (matched pair with #9731000)
9732800	48	Clevis Tube
9732900	49	Hanger Pivot Bolt (2 req)
9733000	* 50	Rod Scraper Seal (order under Part #9735050)
9733100	51	Cam Stud Nut (2 req)
9733200	52	Cam Stud (2 req)
9733300	53	Cam Link
9733400	54	Yoke Pin
9733500	55	Switch
9733600	56	Screw Handle (2 req)
9733700	57	Handle
9733800	58	Waterproof Pad
9733900	59	Grommet Base (with 9734000 & 9734100)
9734000	60	Grommet Washer
9734100	61	Grommet Nut (with 9733900 & 9734000)
9734200	62	Electrical Lead - Short with Connector

** ORDER UNDER PART #9731050

MODEL "H-30" & "E-22"

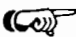
PARTS LIST

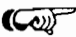
<u>PART NR.</u>	<u>REF. NR.</u>	<u>DESCRIPTION</u>
9734300	64	Dogleg Cam Link
9734400	65	Scissor Blades
9754200	66	Guard for Pistol Grip Handle
9900204	67	Screw
9756755	++ 68	Pistol Grip Handle Complete
* 9731400 - 9731500 - 9731800 - 9733000 SOLD ONLY AS A COMPLETE SEAL KIT SET UNDER PART #9735050.		
+ 9731300 - 9731900 - 9732000 CYLINDER COMPLETE UNDER PART #9735250.		

ACCESSORIES (NOT ILLUSTRATED)

9736000	Electric Lead; Long with Connector
9736100	Electric Connector; male for short lead
9736200	Electric Connector; female for long lead
9736300	Return Plug, Hose
9736400	Power Socket, Hose
9736500	Hose, Power or Return (2 Req)
9736700	Relay Control Box
9736800	Reducing Bushing, Hose to Solenoid Valve (2 Req)
9736900	Spacer / Stroke Limiter
9737000	Hydraulic Hose - Short

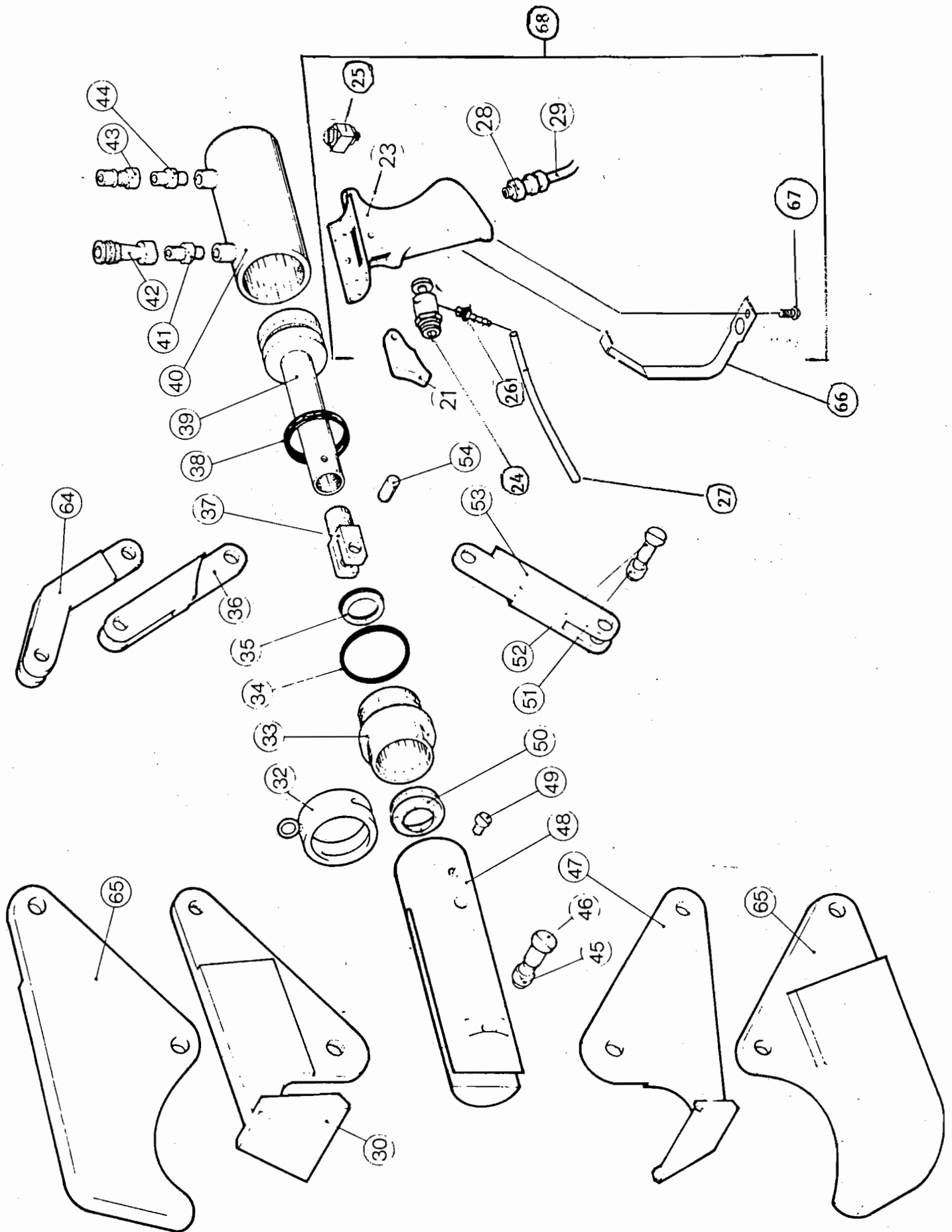
NOTE:

 #9731000 PINCER BLADES PLUS #9731600 CAM LINKS ARE FOR LAMB HORN CUTTING (DEHORNING)

 #9734400 SCISSOR BLADES PLUS #9734300 DOG LEG LINKS ARE FOR LAMB AND SHEEP NECK AND TROTTER (foot) CUTTING

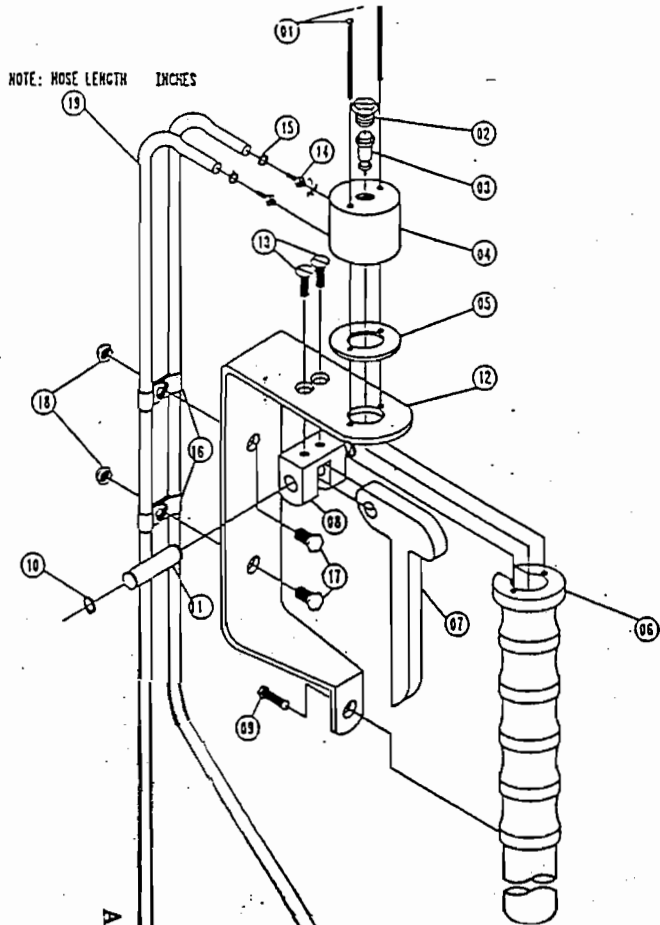
++ Includes Part No.'s 9730100, 9756700, 9739903, 9739905, 9739907, 9754900, 9730800, 9730900, 9754200 & 9900204

PARTS DIAGRAM



#9753655 DUAL CONTROL HANDLE ASSEMBLY

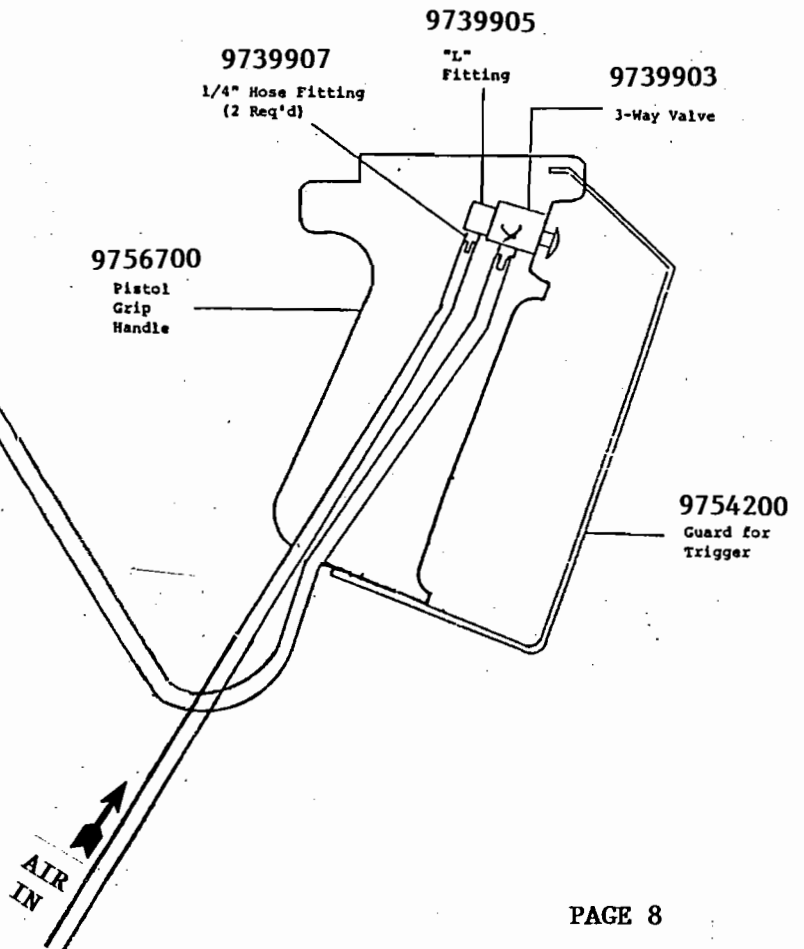
PARTS LIST



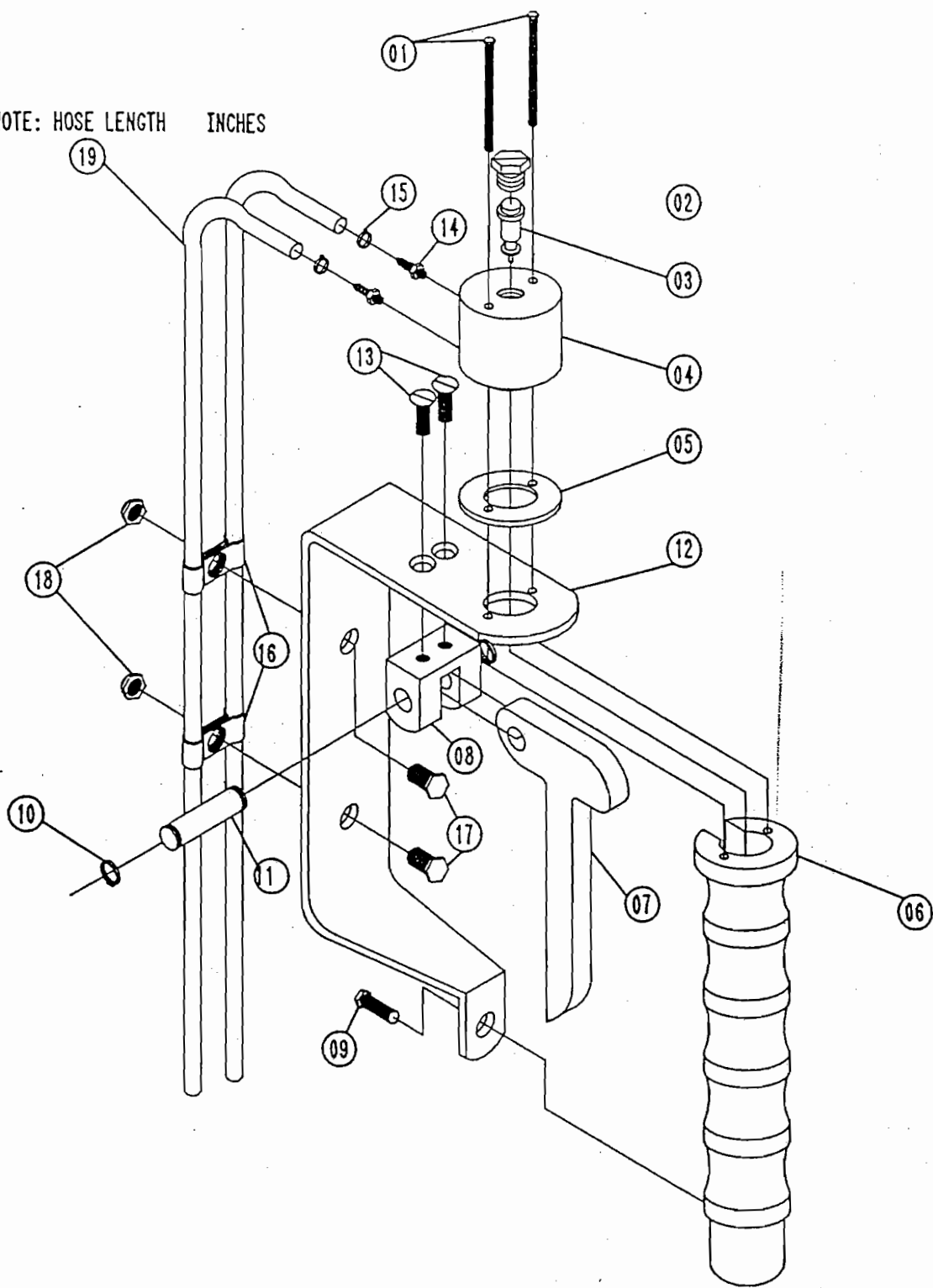
1	9902769	Hex Hd Cap Screw [2 Req'd]
2	9739943	Plug
3	9739940	Valve Cartridge
4	9753520	Valve Body
5	9753528	Spacer
6	9753506	Modular Handle - 6"
7	9753541	Lever
8	9753543	Pivot Bracket
9	9901408	Hex Hd Cap Screw
10	1208193	Retaining Ring [2 Req'd]
11	6044500	Pin
12	9753547	Finger Guard
13	9900396	Slotted Flat Hd Screw [2-Req'd]
14	9739907	Brass Hose Fitting [2 Req'd]
15	9739906	Otikir Clamp [2 Req'd]
16	6288025	Wire Clip [2 Req'd]
17	9902763	Hex Hd Cap Screw [2 Req'd]
18	9901750	Stop Nut 10-32 [2 Req'd]
19	6523391	Parflex Hose 1/4" O.D.

NOTE: ITEMS 1 THRU 13 ARE INCLUDED IN HANDLE ASSEMBLY #9756350

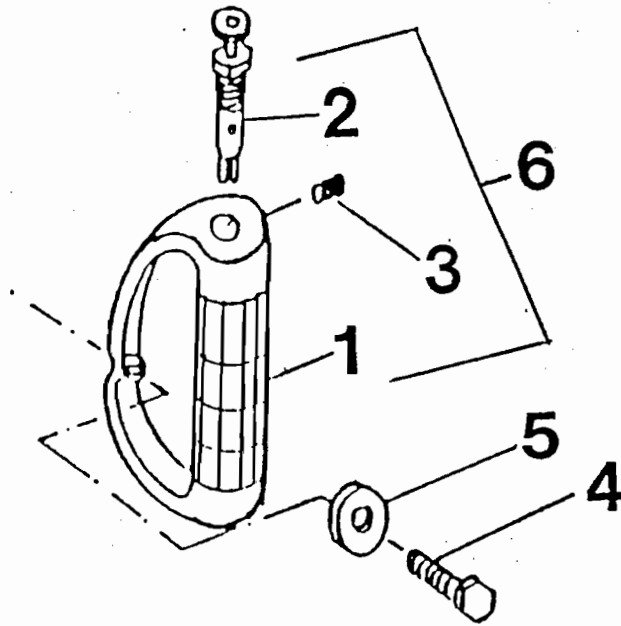
AIR OUT



NOTE: HOSE LENGTH INCHES



**DUAL CONTROL SIDE HANDLE
FOR
ME-40 MULTI PURPOSE CUTTER
& E-22 HOG HOCK CUTTER**



<u>REF. NO.</u>	<u>PART NO.</u>	<u>DESCRIPTION</u>	<u>QTY.</u>
1	9749801	SIDE HANDLE ONLY	1
2	9749805	TRIGGER VALVE	1
3	9801878	VALVE SET SCREW	1
4	9749810	8mm x 20mm MOUNTING BOLT	1
5	9749815	8mm MOUNTING BOLT WASHER	1
6	9749820	SIDE HANDLE COMPLETE (1 - 3)	