



PARTS AND SERVICE MANUAL

**MODEL "E-22-A"
HYD. HOG AITCHBONE CUTTER**

MODEL "E-22" HOG HOCK CUTTER

MODEL "H-30" LAMB HORN CUTTER

BEST & DONOVAN

5570 CREEK RD., CINCINNATI, OH 45242, USA

TOLL FREE: 1-800-553-2378
TELEPHONE: (513) 791-9180
CABLE: WEPCO
FAX: 513-791-0925

WARNING

**ALWAYS DISCONNECT MACHINE
FROM POWER SOURCE & TURN-OFF
HYDRAULIC PUMP BEFORE ATTEMPTING
TO PERFORM ANY REPAIRS, MAKE
ANY ADJUSTMENTS OR TOUCH-UP OR
SHARPEN CUTTER BLADES.**

SPECIFICATIONS

POWER UNIT

4.5 GPM Electric over Oil Hydraulic Pump.

Horsepower - 10

Pressure Setting - 1,300 PSI [Pre-set]

Oil Type: Anti-wear type industrial hydraulic oils or automotive
crankcase oils having letter designations "SC", "SD",
"SE" or "SF" per SAE J183FEB80.

Viscosity: Grades 32-68 cSt (150-315) SUS at 40° C. (104° Fah.)

24 Volt DC Directional Control Valve.

Tank Capacity: 38 Liters

Transformer: 24 Volt DC 4 amp.

Overall Lg: 16 Inches (407mm)

Height: 11 Inches (279mm)

Cylinder: 1½" Bore x ¾" rod x 2½" stroke.

Balancer: 6341600 Counterbalancer 7 Ft. (2,1 m) Cable Travel

- 1] Hydraulic power unit should be installed above the working level of this machine.
- 2] **Do not readjust any pressure settings.** These have been pre-set at the factory.
- 3] Connect hoses marked "**PRESSURE**" and "**RETURN**". Fit female coupling to PRESSURE hose. Fit male plug to return hose.
- 4] Wire electric motor to turn in direction indicated by arrow.
- 5] Connect standard air supply as indicated (if applicable).

HANDPIECE

- a] Install one meter of door track rail parallel with dressing chain for balancer.
- b] Couple safety chain and suspend handpiece from balancer.
- c] Adjust balancer to allow handpiece to hang at rest at animal's head level.
- d] Start power unit from remote switch mounted close to operator. (to be supplied by customer).
- e] Oil all pivot points.
- f] Cycle machine.
- g] **KEEP LEFT HAND AWAY FROM CUTTER AND SWITCH OFF MOTOR WHEN NOT IN USE. ESPECIALLY DURING BREAKS, MEAL TIME AND WHEN KILL IS FINISHED.**

ROUTINE CARE

- 1] Wash handpiece thoroughly every night and apply rust preventative oil.
- 2] Once per week remove blades from clevis, clean and apply smear of lubricant between head faced and to pivot pin.
- 3] Reassemble for use.
- 4] If blades are blunt or chipped, use **oil handstone to sharpen.**
- 5] If blades are badly chipped, build up with hard facing material (gas or electric welding)
- 6] If at all possible, do not remove or change shape of flat areas at ends of blades. These are blade edge protectors. Blades are flame hardened to approximately 48 Rockwell.

OPERATOR PRECAUTIONS

①

Be alert at all times. Think safety.

④

Also wear proper footwear to eliminate the possibility of slipping.

②

Respect your equipment and know how to properly operate it.

⑤

Never place fingers, hands or any part of your person between blades of Dehorner.

③

Be smart and wear safety glasses. But don't wear watches, bracelets, rings or necklaces. Also don't wear loose fitting clothing or neckties.

If a blade jams, notify supervisor or maintenance department.

PARTS LIST

<u>PART NR.</u>	<u>REF. NR.</u>	<u>DESCRIPTION</u>
9730100	21	Trigger
9756700	23	Pistol Grip Handle Only 2-Hole
9756800	23	Pistol Grip Handle Only 4-Hole
9739903	24	3-Way Air Valve
9739905	25	Adjustable "L" Fitting
9739907	26	Hose Fitting
9754900	27	Hose
9730800	28	Connector
9730900	29	Air Hose 3/16" (5m)
9731000	** 30	Pincer Blade (matched pair with #9732700)
9734500	32	Hanger Ring Assy
9731300	+	33 Cylinder Head (order under Part #9735250)
9731400	*	34 "O" Ring (order under Part #9735050)
9731500	*	35 "O" Ring (order under Part #9735050)
9731600	36	Cam Link
9731700	37	Yoke
9731800	* 38	Piston Seal, G.T. Type & Back Up Rings (order under Part #9735050)
9731900	+	39 Piston Rod & Piston (order under Part #9735250)
9732000	+	40 Motor Cylinder (order under Part #9735250)
9732100	41	Reducing Nipple (hex)
9732200	42	Return Socket, Cylinder
9732300	43	Power Plug, Cylinder
9732400	44	Reducing Nipple (hex)
9732500	45	Nut, Blade Pivot Bolt
9732600	46	Blade Pivot Bolt
9732700	** 47	Blade (matched pair with #9731000)
9732800	48	Clevis Tube
9732900	49	Hanger Pivot Bolt (2 req)
9733000	* 50	Rod Scraper Seal (order under Part #9735050)
9733100	51	Cam Stud Nut (2 req)
9733200	52	Cam Stud (2 req)
9733300	53	Cam Link
9733400	54	Yoke Pin
9733500	55	Switch
9733600	56	Screw Handle (2 req)
9733700	57	Handle
9733800	58	Waterproof Pad
9733900	59	Grommet Base (with 9734000 & 9734100)
9734000	60	Grommet Washer
9734100	61	Grommet Nut (with 9733900 & 9734000)
9734200	62	Electrical Lead - Short with Connector

** ORDER UNDER PART #9731050

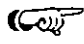
PARTS LIST


<u>PART NR.</u>	<u>REF. NR.</u>	<u>DESCRIPTION</u>
9734300	64	Dogleg Cam Link
9734400	65	Scissor Blades
9754200	66	Guard for Pistol Grip Handle
9900204	67	Screw
9756755	++ 68	Pistol Grip Handle Complete
* 9731400 - 9731500 - 9731800 - 9733000 SOLD ONLY AS A COMPLETE SEAL KIT SET UNDER PART #9735050.		
+ 9731300 - 9731900 - 9732000 CYLINDER COMPLETE UNDER PART #9735250.		

ACCESSORIES (NOT ILLUSTRATED)

9736000	Electric Lead; Long with Connector
9736100	Electric Connector; male for short lead
9736200	Electric Connector; female for long lead
9736300	Return Plug, Hose
9736400	Power Socket, Hose
9736500	Hose, Power or Return (2 Req)
9736700	Relay Control Box
9736800	Reducing Bushing, Hose to Solenoid Valve (2 Req)
9736900	Spacer / Stroke Limiter
9737000	Hydraulic Hose - Short

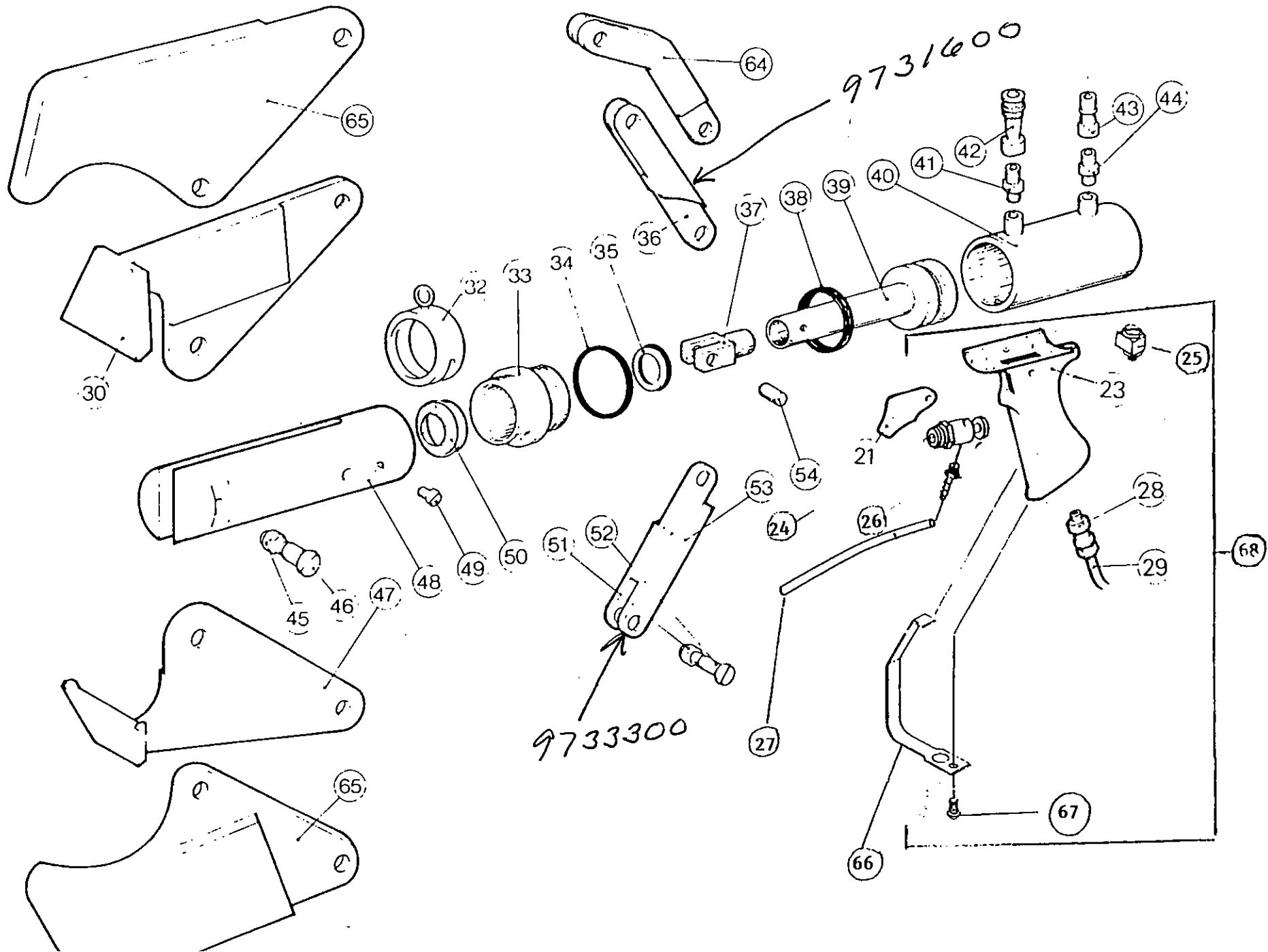
NOTE:

 #9731000 PINCER BLADES PLUS #9731600 CAM LINKS ARE FOR LAMB HORN CUTTING (DEHORNING)

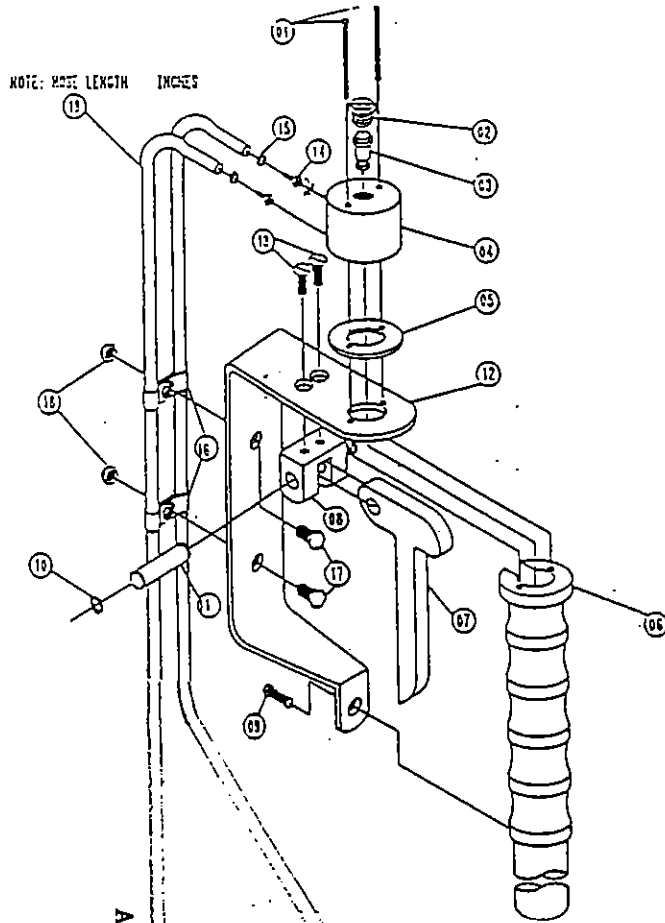
 #9734400 SCISSOR BLADES PLUS #9734300 DOG LEG LINKS ARE FOR LAMB AND SHEEP NECK AND TROTTER (foot) CUTTING

++ Includes Part No.'s 9730100, 9756700, 9739903, 9739905, 9739907, 9754900, 9730800, 9730900, 9754200 & 9900204

PARTS DIAGRAM



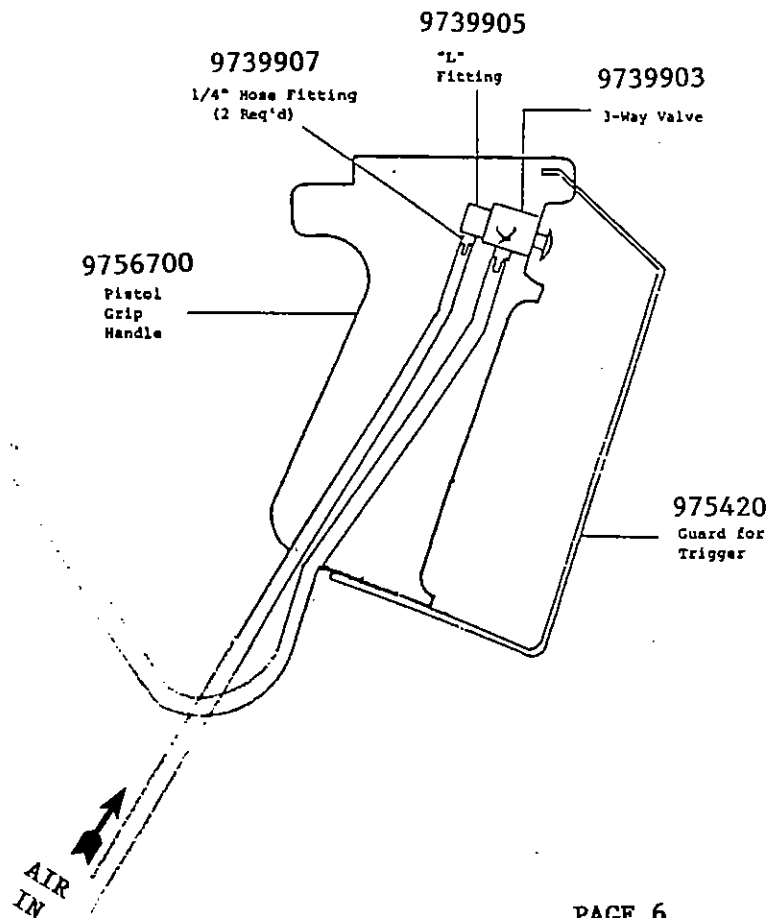
PARTS LIST

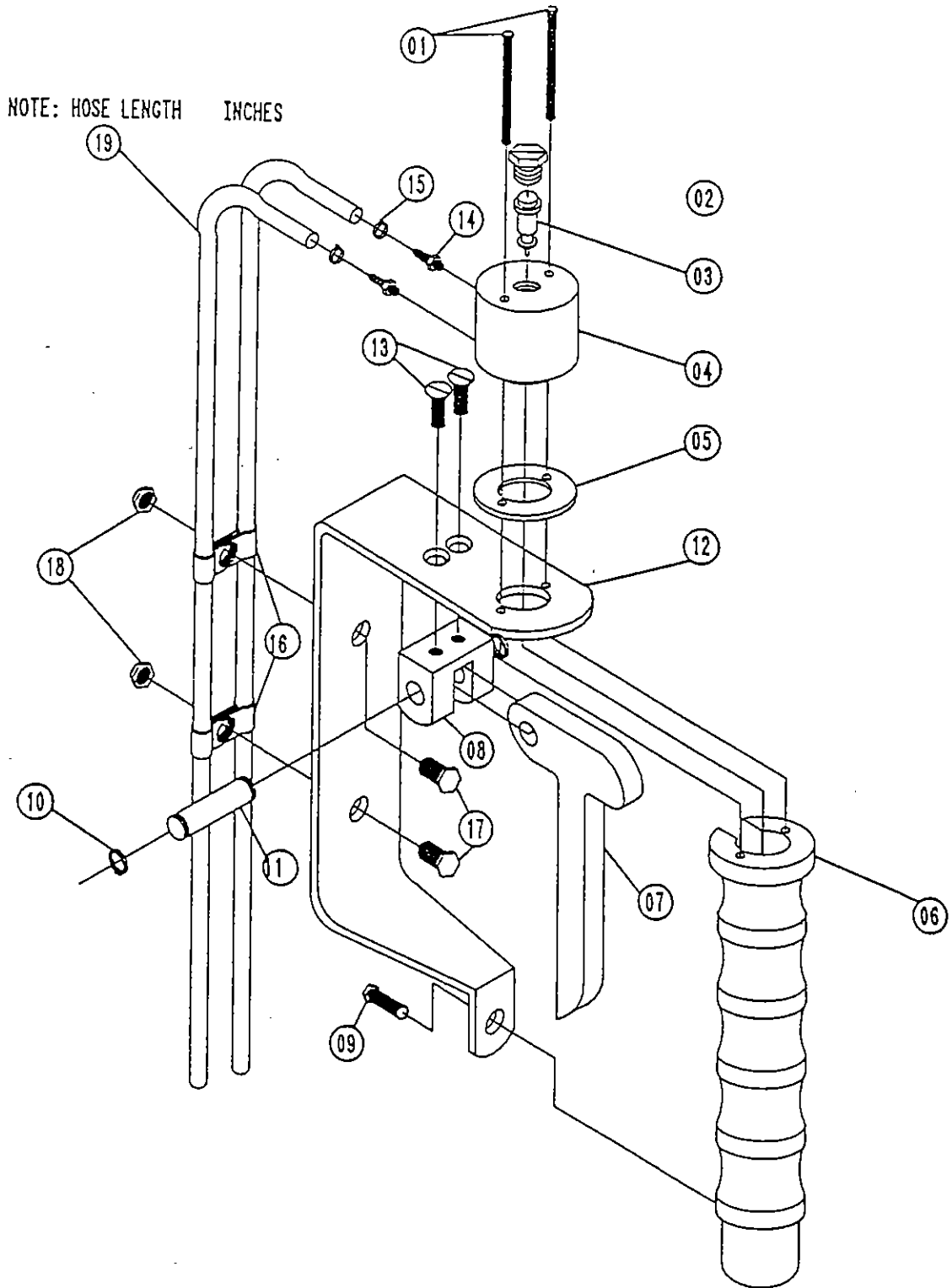


1	9902769	Hex Hd Cap Screw [2 Req'd]
2	9739943	Plug
3	9739940	Valve Cartridge
4	9753520	Valve Body
5	9753528	Spacer
6	9753506	Modular Handle -- 6"
7	9753541	Lever
8	9753543	Pivot Bracket
9	9901408	Hex Hd Cap Screw
10	1208193	Retaining Ring [2 Req'd]
11	6044500	Pin
12	9753547	Finger Guard
13	9900396	Slotted Flat Hd Screw [2-R]
14	9739907	Brass Hose Fitting [2 Req'd]
15	9739906	Otikir Clamp [2 Req'd]
16	6288025	Wire Clip [2 Req'd]
17	9902763	Hex Hd Cap Screw [2 Req'd]
18	9901750	Stop Nut 10-32 [2 Req'd]
19	6523391	Parflex Hose 1/4" O.D.

NOTE: ITEMS 1 THRU 13 ARE INCLUDED
IN HANDLE ASSEMBLY #9756350

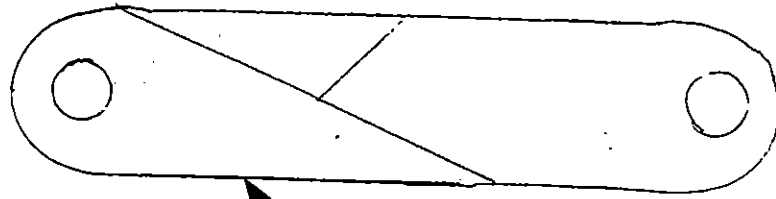
AIR OUT



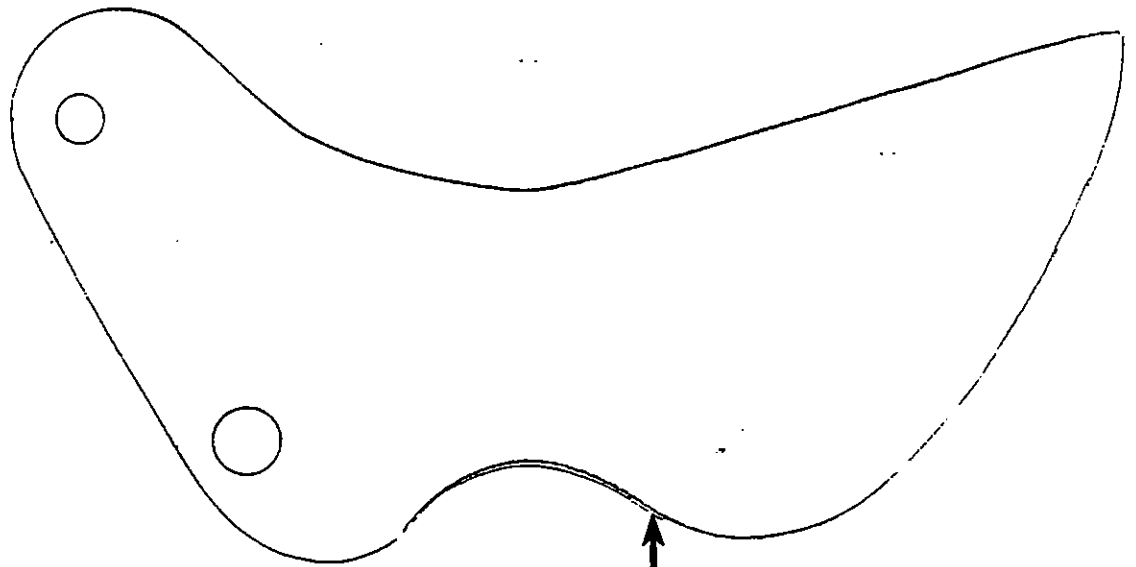


Parts & Blade

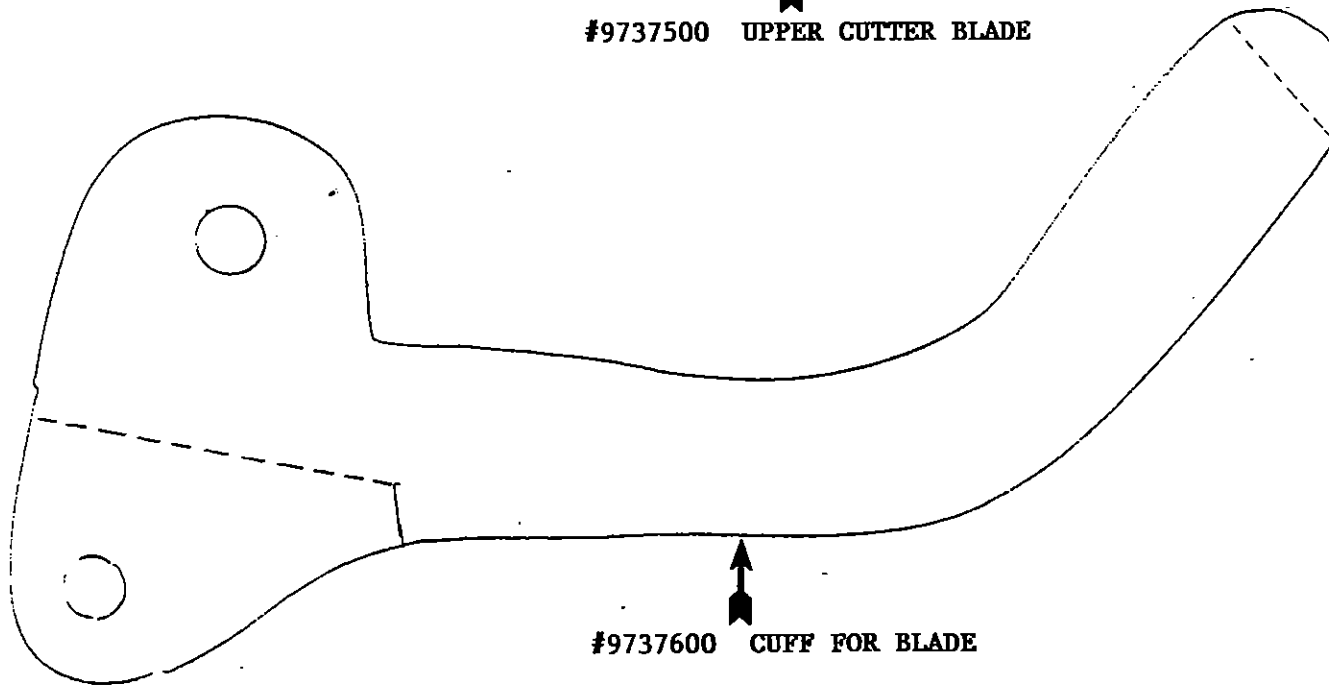
"E-22-A" Hyd. Aitchbone Cutter



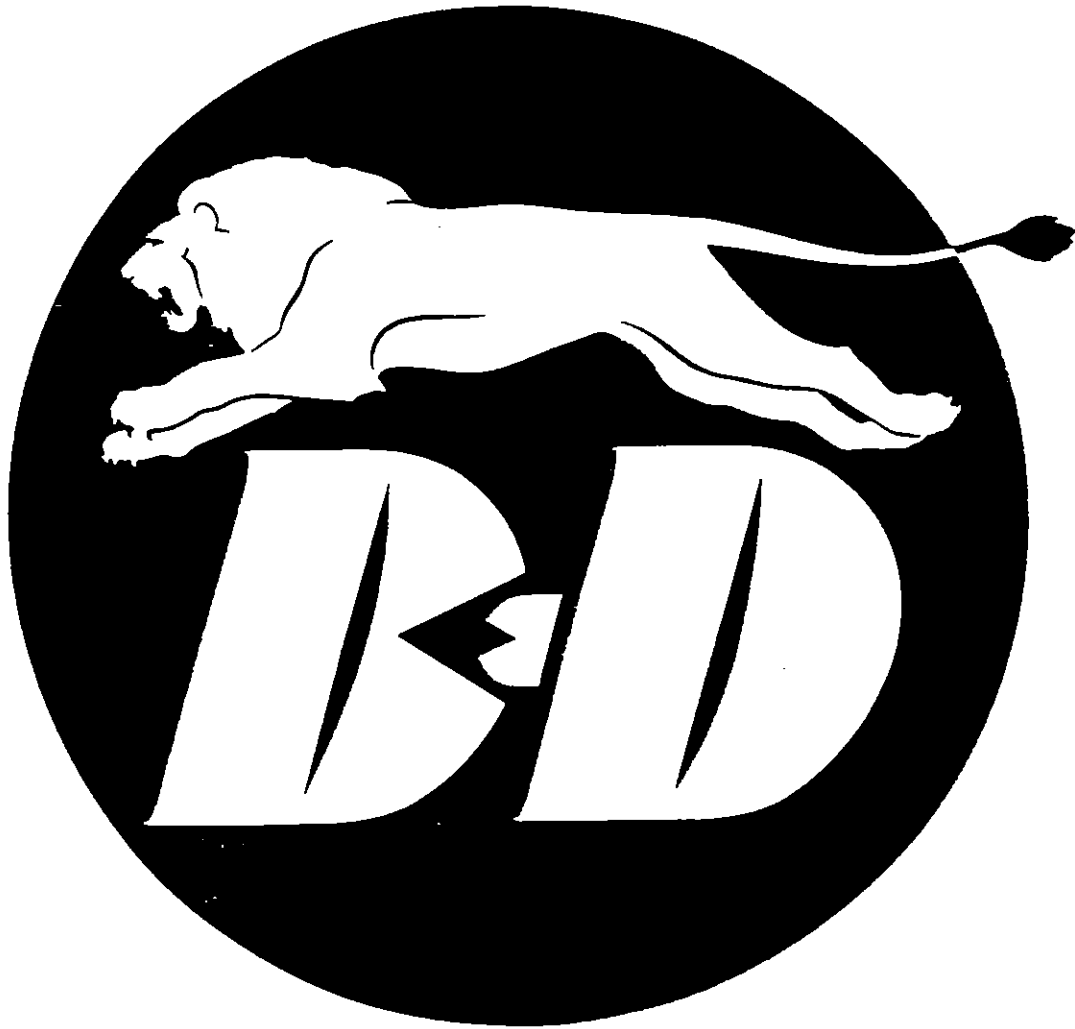
#9737700 CAM LINK [2 Req'd]



#9737500 UPPER CUTTER BLADE



#9737600 CUFF FOR BLADE



INVEST IN THE BEST...BUY B&D PACKER APPROVED MACHINES

USDA
APPROVED

FOR MORE INFORMATION, CONTACT:

BEST & DONOVAN

5570 Creek Road, Cincinnati, OH 45242, USA

TOLL FREE:
TELEPHONE:
CABLE:
FAX:

1-800-553-2378
(513) 791-9180
WEPCO
513-791-0925



© COPYRIGHT 1994