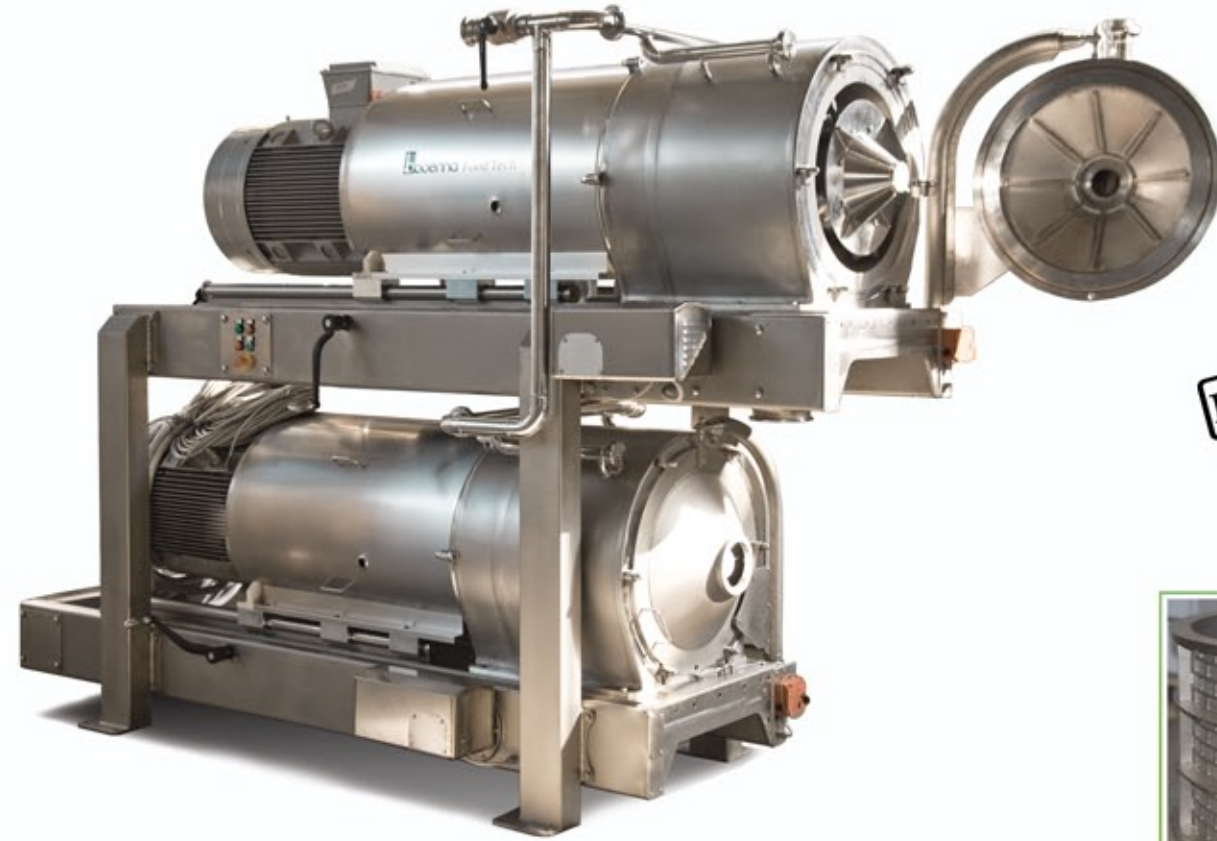




Boema S.p.A. factory

Extraction and refining group
Mod. PR410

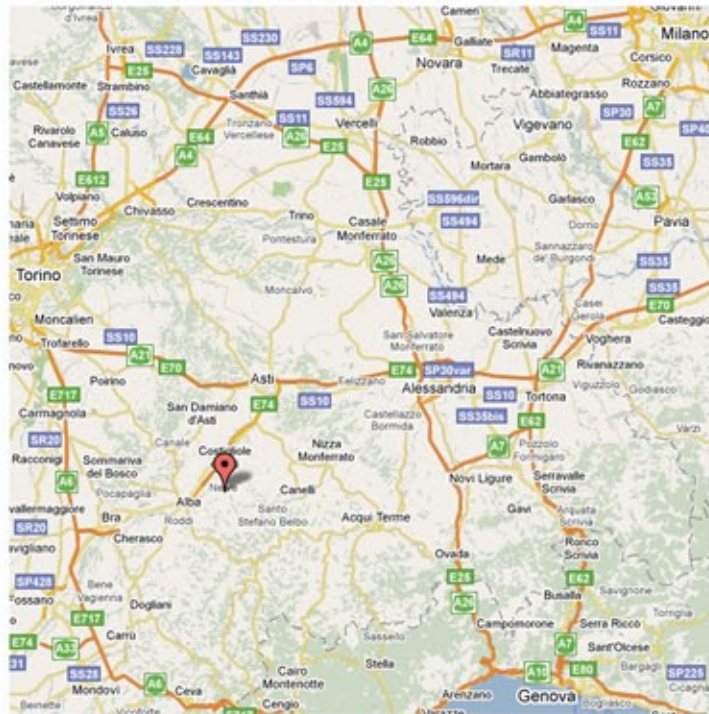


Vegetable

Fruit



Some of our References



Boema S.p.A. C.so Romano Scagliola 197 - 12052 Neive (CN) Italy Tel.+39/0173 67 87 11
Fax +39/ 0173 67 626 e-mail: boema@boema.com - Internet: www.boema.it



FoodTech



FoodTech

Extraction and refining group Mod. PR410

Main features

Boema manufactures extraction and refining groups, with adjustable rotor, for fruit and vegetables' puree. The production program foresees, for this model, the construction of three kinds of machines, individual or double, only different per rotor length.

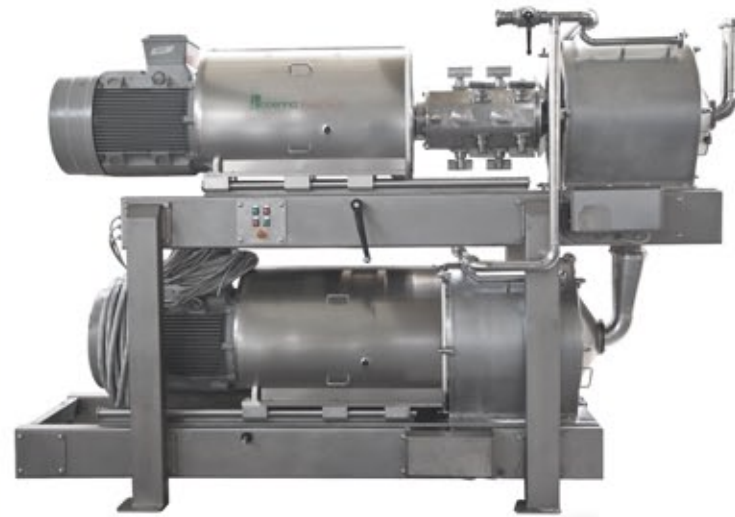
Each machine is mainly composed of:

- AISI 304 stainless steel rotor with adjustable paddles. These paddles can be adjusted in 2 different ways: 1) radial (by varying the distance from the static filter); 2) of the slope as to the machine axis.

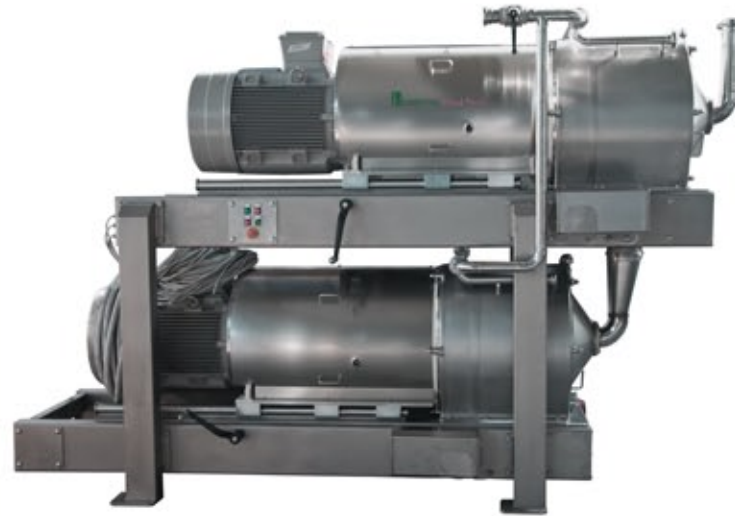
The rotor, with relevant support, and the motor are installed on a slide, which enables their translation.

In this way, during the cleaning or maintenance operations, the machine can be easily inspected in all its parts;

- perforated sheet basket with reinforce rings and filter with perforation to be defined (AISI 304 stainless steel);
- casing with quick opening front door (AISI 304 stainless steel);
- DN80 product inlet connection;
- manifold for washing water distribution;
- product collecting hopper;
- electrical motor with frequency changer to control the rotation speed of the rotor;
- flat screw for scraps' evacuation powered by electrical motorized-gearbox;
- machine body in stainless steel made by cast iron fusion, which contains the transmission shaft, n. 2 bearings with oil bath lubrication, elastic joint;
- supporting frame made of AISI 304 stainless steel closed tubulars.



Side view of the extraction group Mod. PR410/2-1B with "opened" strainer and refiner in working position



Side view of the extraction group Mod. PR410/2-1B with strainer and refiner in working position

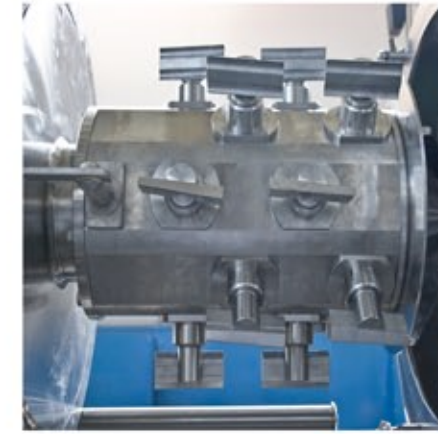


Front view of the group complete with screw conveyors for scraps' removal

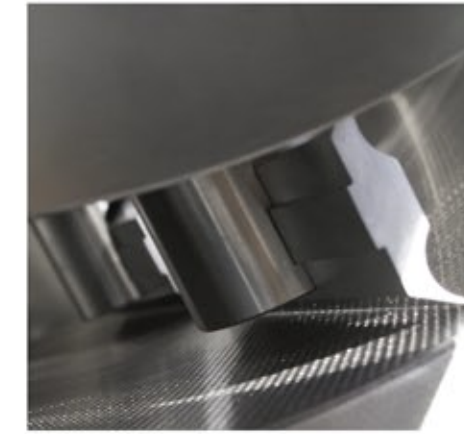
Technical data

NB: The production capacities of groups vary from 10 to 100 t/h according to the model, the installed electrical power, the refining degree and the features of the input raw material.

Model	Rotor length [mm]	Nominal Ø of the rotor [mm]	N° of rotors	Available powers for rotor [kW]	Max. overall dimensions (Lu x La x h) [m]
PR410/1-1A	300	520	1	37 / 45 / 55	3,25 x 1,47 x 1,88
PR410/1-1B	450	520	1	45 / 55 / 75	3,58 x 1,47 x 1,93
PR410/1-2A	600	520	1	55 / 75 / 90 / 110	4,04 x 1,47 x 1,93
PR410/2-1A	300	520	2	37 / 45 / 55	3,8 x 1,47 x 2,31
PR410/2-1B	450	520	2	45 / 55 / 75	4,13 x 1,47 x 2,36
PR410/2-2A	600	520	2	55 / 75 / 90 / 110	4,59 x 1,47 x 2,36



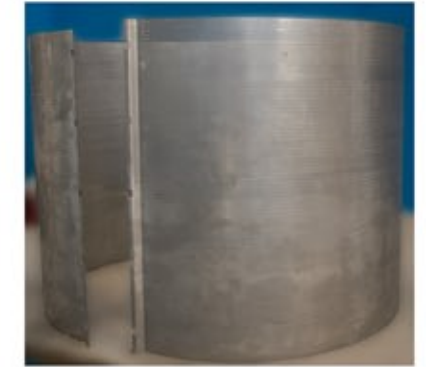
Adjustable paddles rotor on position of "opened" machine



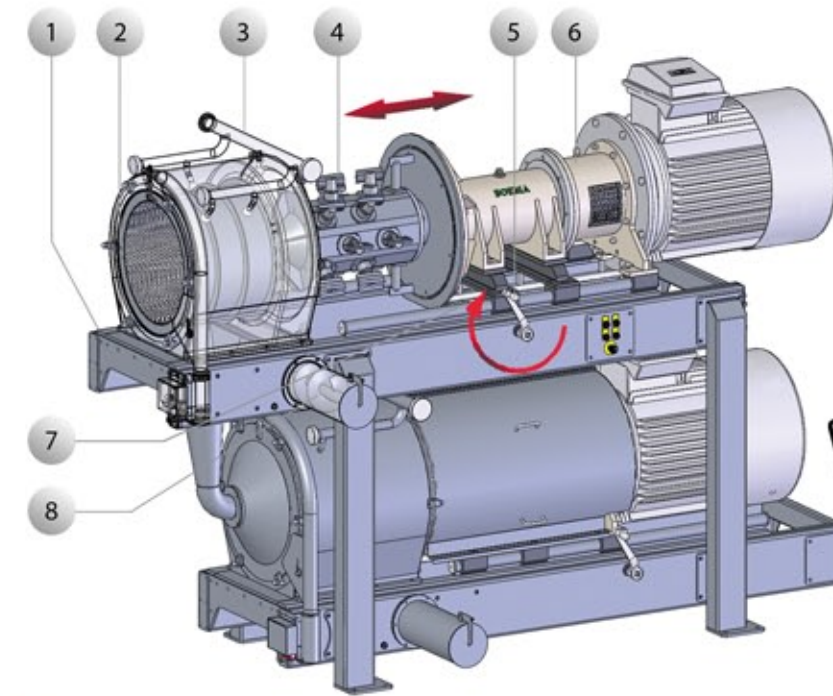
Detail of an extraction paddle



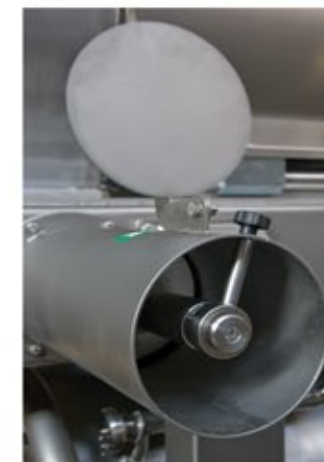
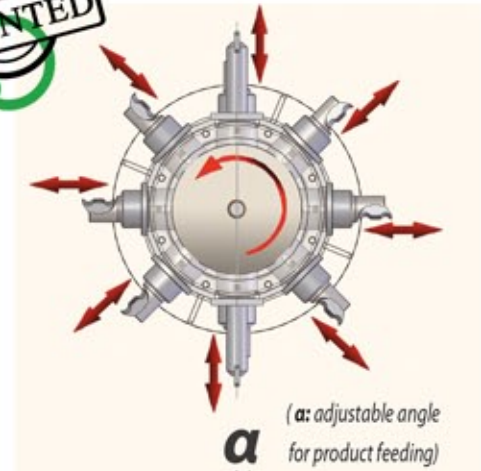
Basket complete with filter



Disassembling filter by means of quick fixing



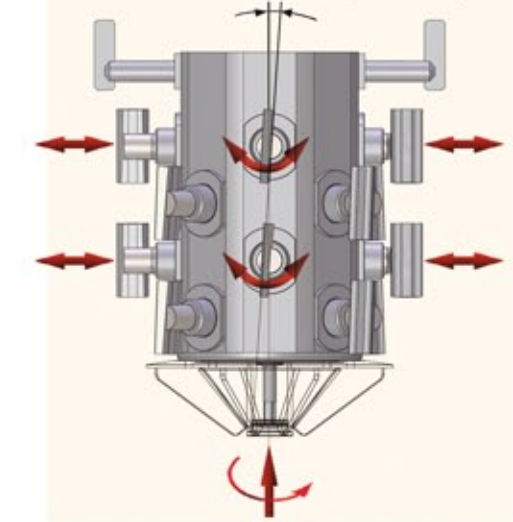
- 1: Supporting frame
- 2: Basket with removable filter
- 3: Washing circuit
- 4: Rotor with adjustable paddles
- 5: Crank for rotor extraction
- 6: Rotor motorization
- 7: Slide for rotor group translation
- 8: Screw for scraps' removal



Detail of the scraps' removal screw



"Pinion-rack" transmission with manual powering by means of crank for rotor extraction from the machine body



Sketch of the centralized system for paddles' radial adjustment on the rotor