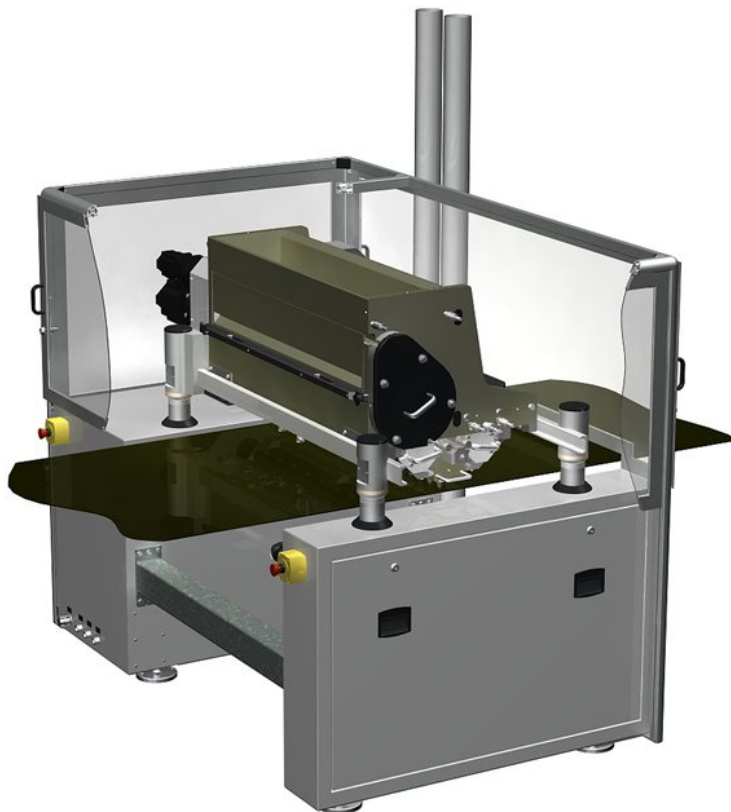


Alice™ Z Dynamic Single



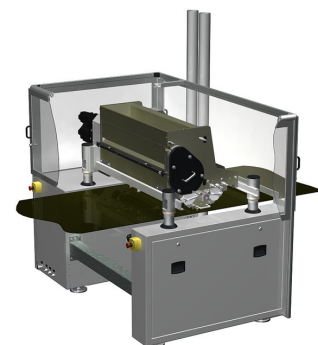
Alice™ Z Dynamic Single

Choose the Alice™ Z Dynamic depositor in single head configuration for fully flexible product handling. Configuration used for straightforward single extrusion and/or single depositing.

Choose the Alice™ Z dynamic depositor in single head configuration and you can deposit, extrude or wire-cut one mass. Choose this configuration if you wish to produce complex extruded shapes onto a continuously moving conveyor belt. All movements are servo driven and fully programmable. All programming is done from a color touch screen panel and can be adjusted in real time. The machine is easy to clean. The Alice™ hopper also makes it adaptable to quick product changes thanks to its off-line capability. Upgrades to double or triple head configuration are possible.

UPS/EFU

- Provides extremely fast changeover
- Preserves dough structure and texture
- Unique "hose-down" cleaning
- Large selection of innovative die tools
- Configuration used for straight forward single extrusion/depositing
- Gently handles dough with inclusions



The Aasted Machinery Program

Find the technical specifications for the machine below.

	Alice™ Z Dynamic Single 1200	Alice™ Z Dynamic Single 1000	Alice™ Z Dynamic Single 800	Alice™ Z Dynamic Single 600
Length (mm)	2388	2188	1988	1788
Width (mm)	1543	1543	1543	1543
Height (mm)	1878	1878	1878	1878
Power usage (KwH)	25	25	25	25
Air usage (m3)	75L/min. 6 bar / 4.5	75L/min. 6 bar / 4.5	75L/min. 6 bar / 4.5	75L/min. 6 bar / 4.5
Water usage (m3)	16L/h. /	13L/h. /	10L/h. /	7L/h. /

We have a broad portfolio of machinery and equipment

Beneath are listed products in the same category.

- Alice™ Z Dynamic Double
- Alice™ Z Dynamic Triple