

# Patented Precision Portioning

**The more accurate your portioning operation, the less product giveaway.** Our COV Portioner is designed to volumetrically measure and portion whole muscle products with a weight accuracy of +0.5%. Available in 10, 20, 40, or 60 lb. sizes, the Marlen COV portioner is ideal for any product which requires accurate portions from 0.5 to 60 lbs.

## BENEFITS / FEATURES

### Accurate portion weights to +0.5%.

- Precise portioning results in less product giveaway, resulting in higher profits
- Easy, responsive inline weight adjustment enables infinite fine-tuning during operation

### Maintains product integrity.

- 4-inch unobstructed inlet/outlet openings allow easy pass through of large whole muscle meats without damaging product appearance

### Sanitary design.

- Water-tight NEMA 4X cabinet eliminates water damage and eases sanitation
- COV barrel tilts to clean-up position which simplifies and speeds sanitation



## METHOD OF OPERATION

As pressure in the volumetric cavity reaches the programmed set point, the portioner receives a call signal from the downstream equipment. The valve then turns to deliver the product. Once the product is discharged, the valve returns the cavity to fill position. When utilizing the portioner with a clipping line, the pump doesn't stop for clipping, but refills rather during the clipping cycle.

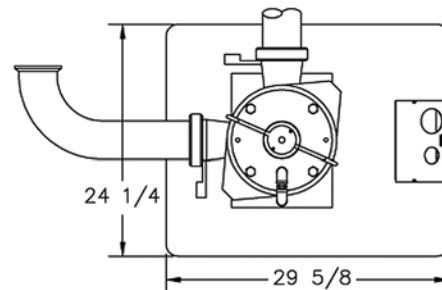
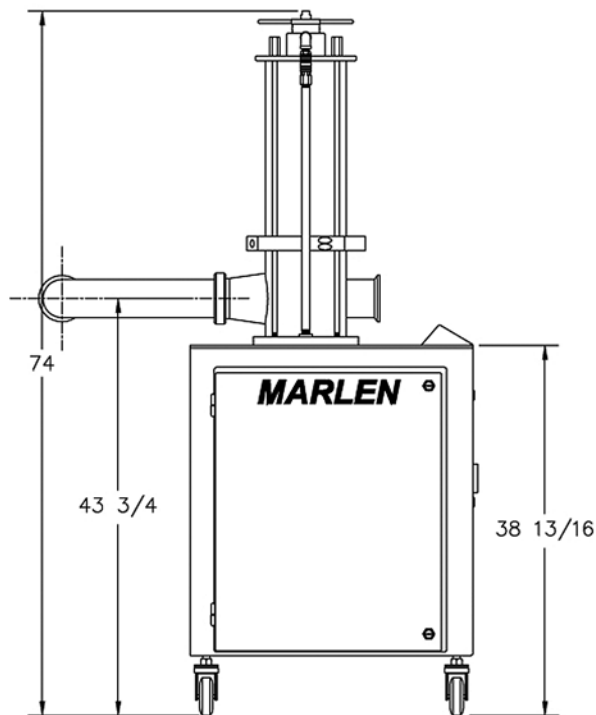


**M A R L E N**

**MARLEN. REAL. SMART.**

### Technical Specifications:

<b>Machine dimensions – 10 lb. model</b>	29 5/8" L x 24.5" W x 60" H
<b>Machine dimensions – 20 lb. model</b>	29 5/8" L x 24.5" W x 74" H
<b>Machine dimensions – 40 lb. model</b>	29 5/8" L x 24.5" W x 94" H
<b>Machine dimensions – 60 lb. model</b>	29 5/8" L x 24.5" W x 112" H
<b>Pump/stuffer connection</b>	4" Q
<b>Electrical</b>	110 volt, 50-60 Hertz, single phase
<b>Air requirements</b>	40 CFM at 100 psi (min. 3/4" inside diameter tube & fitting)
<b>Controller</b>	Allen Bradley Micrologix



\*NOTE: 20-lb. model spec drawing



## MARLEN



4780 NW 41st St, Ste. 100 • Riverside, MO 64150

Tel 913.888.3333 | Toll Free 800.862.7536 | Fax 913.888.6440 | email: sales@marlen.com | www.marlen.com



THE DURAVANT FAMILY OF COMPANIES

MARLEN INTERNATIONAL | HAMER-FISCHBEIN | FISCHBEIN INTERNATIONAL | MESPACK | FMH CONVEYORS

[www.duravant.com](http://www.duravant.com)