

3 | AUTOMATIC VACUUM MACHINES
AND PACKAGING LINES



TITAN-F 1000 A

with automatic transport belt



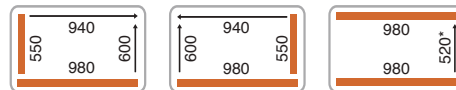
The machines of the TITAN A series are ideally suited for speeding up the packaging process through the automatic transport belt.

Internal chamber dimensions	1015 x 675 x 280 / 210 mm*
Seal length	550 / 980 mm
Vacuum pump	160 / 250 / 300 m ³ /h
External dimensions	1.33 x 1.0 x 1.1 m*
Weight	approx. 350 / 420 kg
Electrical connections	3 phases, 230 / 400 V, 50 Hz**

* Width x depth x height / effective height above the transport belt

** Special voltages available on request

Sealing system



* Other widths available on request.



Programmable sensor controller Z 3000

- intuitive control panel that is protected against sprayed water
- exact vacuum and gas sensor
- 99-programme memory
- vaporisation point detection, soft ventilation available
- quick stop button, button lock
- staged vacuum, vacuum shock function
- continuous running service program



Vacuum pump

- high-performance pump from Busch
- maximum vacuum value from 99.9 %
- various pump sizes available (160 / 250 / 300 m³/h)
- pump in oxygen version possible
- external setup possible



Welding system

- high-pressure welding for optimal sealing pressure
- consistent results even with thicker types of bags
- standard double welding with double sealing seam
- optional separation of the bag overhang is possible
- individual initiation of the welding systems
- lifting mechanism without cables



Transport belt

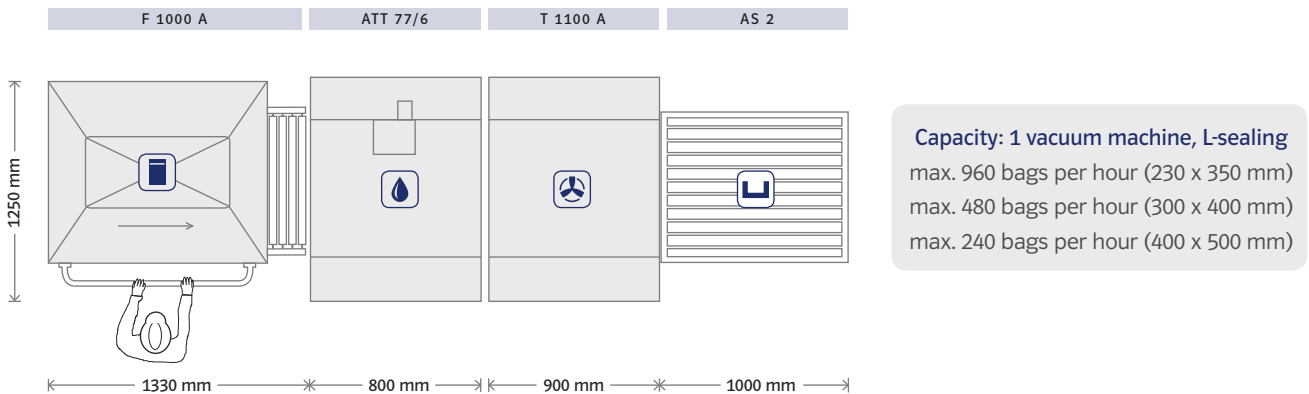
- automatic transport belt that is manually adjustable for height
- easy installation and dismantling for optimal cleaning conditions
- effective height above the transport belt up to 210 mm (optional)
- manual stainless steel roller track possible (optional)

Options / accessories

Gasification with long stainless steel nozzles · Simple cut-off sealing · Separately adjustable cut-off seal · Top/bottom sealing · Soft ventilation · Inspection glass in the lid · Automatic lid shift · Movable bridging roller track at the right and left side of the machine · Control from the side or the rear at a stainless steel arm

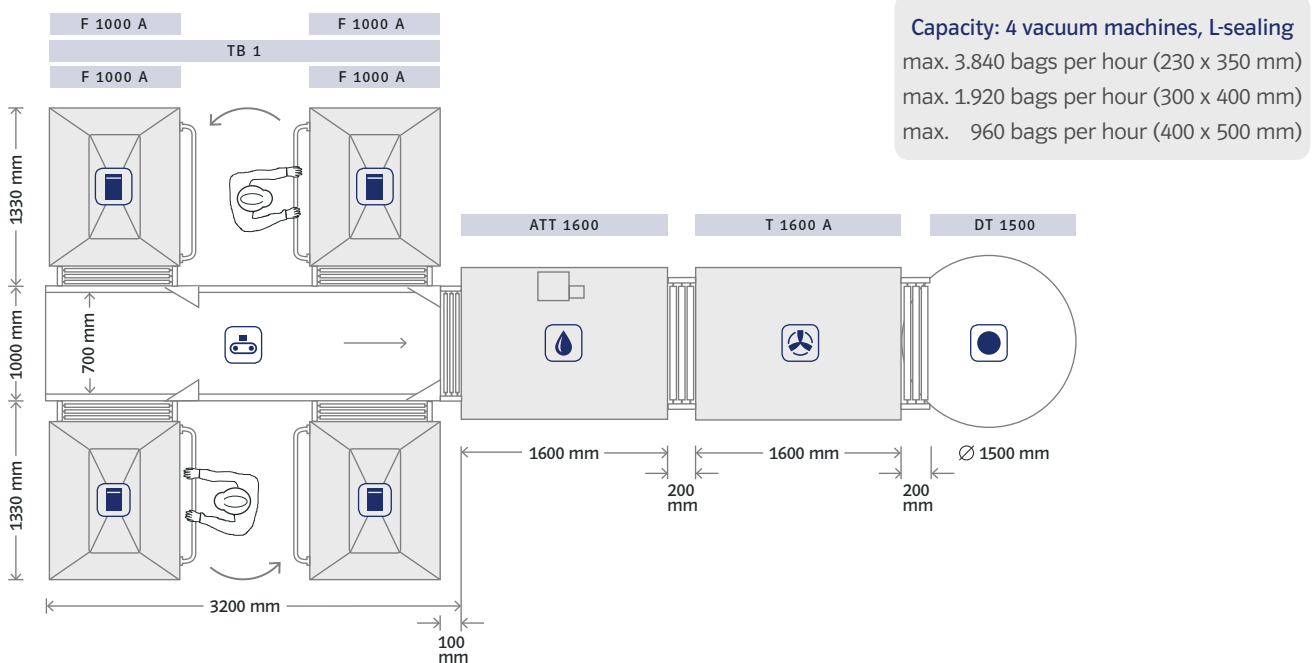
TITAN-F 1000 A

The modular construction of our packaging lines allows adaptation to individual needs in steps. At the maximum expansion stage we aim for a high capacity with the lowest amount of time required for operator attention. The module system allows integration into existing conveying systems.



Advantages

- cost-effective entry into the automation of packaging
- modular construction of the packaging line
- reduction of operator time required through short routes
- compact and ergonomic construction
- increase in packaging capacity through automated roller belt
- modular expansion with up to two machines is possible



Advantages

- modular construction with the TB 1 transport belt: up to four TITAN-F 1000 A units possible
- larger drying and shrinking tunnels possible
- reduction of operator time required through short routes
- integration into existing lines is possible
- maximum economy and efficiency
- parallel welding beam construction offers increased packaging capacity
- redundant system ensures process reliability
- modular expansion with up to eight machines is possible

TITAN-X 950 A

with automatic transport belt

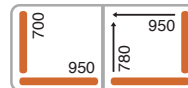


Our TITAN-X 950 A vacuum machine guarantees an interruption-free packaging process through the double chambers.

Internal chamber dimensions	1060 x 860 x 280 / 210 mm*
Seal length	950 / 700 mm
Vacuum pump	250 / 300 m ³ /h
External dimensions	2.25 x 1.22 x 1.18 m*
Weight	approx. 700 kg
Electrical connections	3 phases, 230 / 400 V, 50 Hz**

* Width x depth x height / effective height above the transport belt
 ** Special voltages available on request

Sealing system



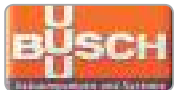
Programmable sensor controller Z 3000

- intuitive control panel that is protected against sprayed water
- exact vacuum and gas sensor
- 99-programme memory
- vaporisation point detection, soft ventilation available
- quick stop button, button lock
- staged vacuum, vacuum shock function
- continuous running service program



Welding system

- high-pressure welding for optimal sealing pressure
- consistent results even with thicker types of bags
- standard double welding with double sealing seam
- optional separation of the bag overhang is possible
- individual initiation of the welding systems
- lifting mechanism without cables



Vacuum pump

- high-performance pump from Busch
- maximum vacuum value from 99.9 %
- various pump sizes available (250 / 300 m³/ h)
- pump in oxygen version possible



Transport belt

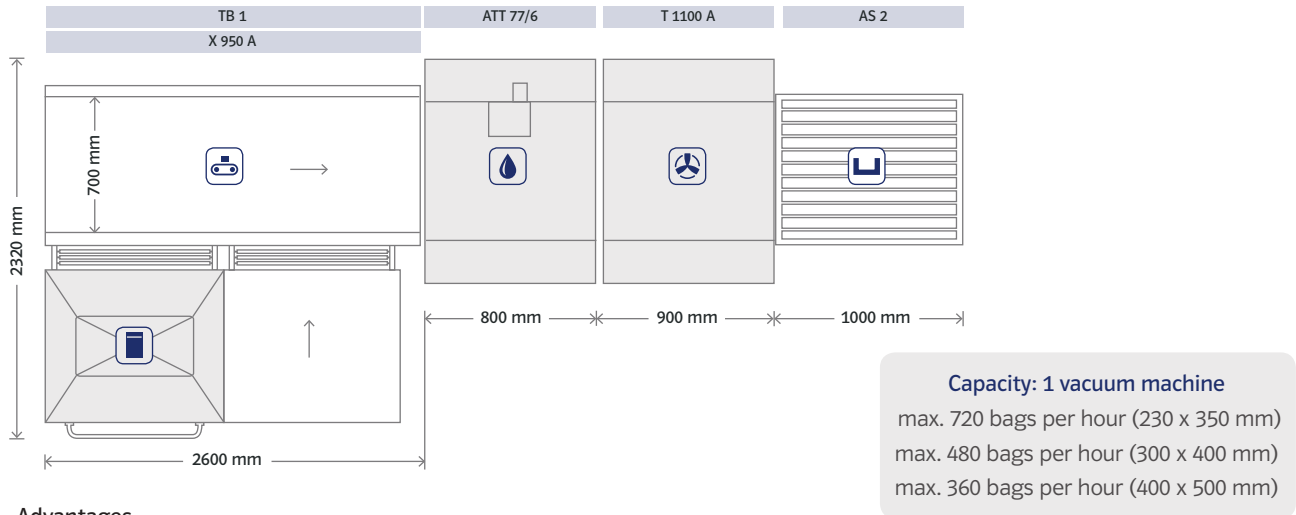
- each chamber has an automatic transport belt
- manually adjustable for height
- easy installation and dismantling for optimal cleaning conditions
- effective height above the transport belt up to 210 mm (optional)

Options / accessories

Gasification with long stainless steel nozzles · Simple cut-off sealing · Separately adjustable cut-off seal · Top/bottom sealing · Soft ventilation · Inspection glass in the lid · Automatic lid shift · Movable bridging roller track at the right and left side of the machine · Control from the side or the rear at a stainless steel arm

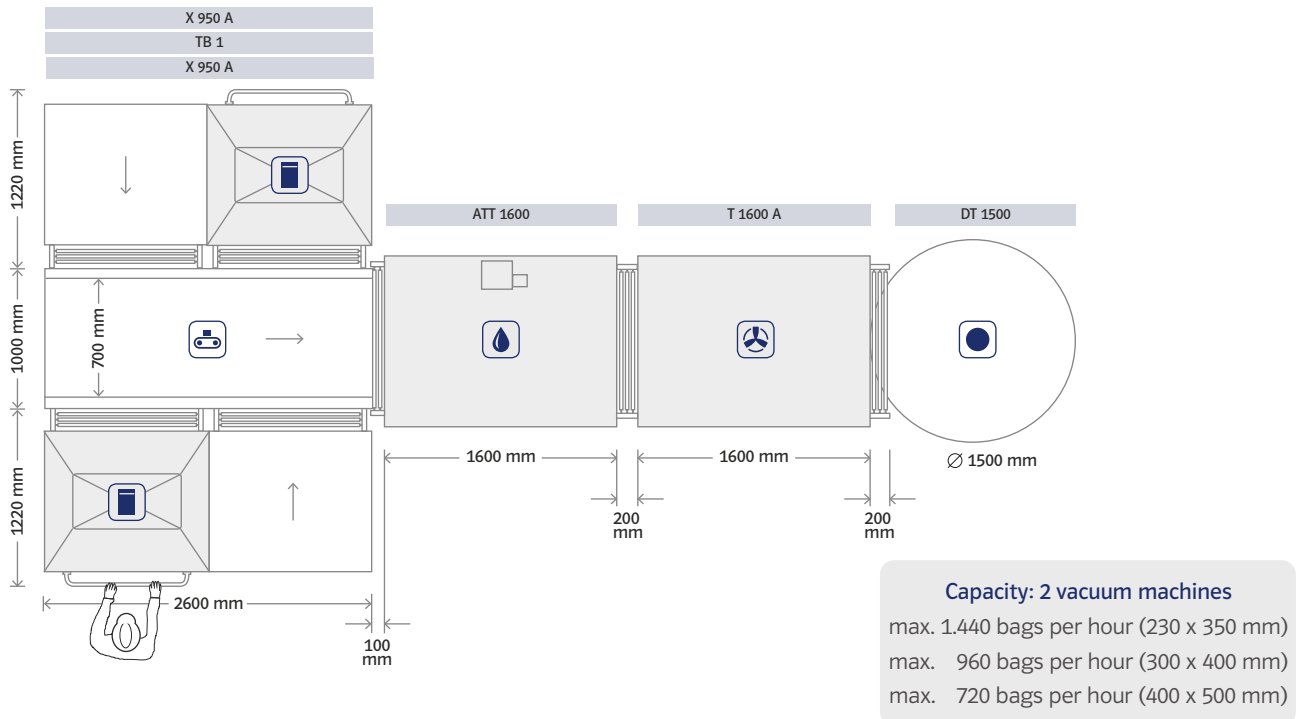
TITAN-X 950 A

The double chamber construction of our packaging lines allows an interruption-free packaging process. The modular construction of our packaging lines allows adaptation to individual needs in steps.



Advantages

- cost-effective entry into the automation of packaging
- modular construction of the packaging line
- reduction of operator time required through short routes
- compact and ergonomic construction
- increase in packaging capacity through automated roller belt



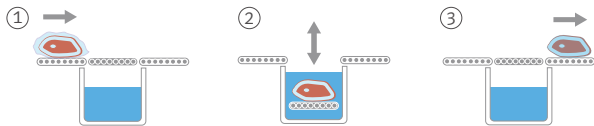
Advantages

- modular construction with the TB 1 transport belt: up to four TITAN-X 950 A units possible
- larger drying and shrinking tunnels possible
- cost-effective entry into the automation of packaging
- modular construction of the packaging line
- redundant system ensures process reliability
- reduction of operator time required through short routes
- increase in packaging capacity through automated roller belt
- ergonomic construction
- modular expansion with up to eight machines is possible

ATT 77/6



Shrinking procedure



Configuration features

- optimal insulation protection through double-walled stainless steel housing
- automatic transport belt with integrated cleaning position
- product detection via photocell
- programmable controller with touch function and timer

The ATT 77/6 dip tank offers an ideal entry into automatic shrink-packaging. A generously sized dipping basket and the automatic product transport guarantee an increase in packaging capacity.

Dipping basket size	700 x 650 mm
Immersion depth	250 mm
External dimensions	0.90 x 1.25 x 1.75 m*
Connection exhaust air hose	Ø 90 mm
Water tank	approx. 170 liter
Weight	approx. 230 kg
Electrical connections	3 phases, 230/400 V, 50 Hz / 19 kW**
Heating system	steam / electric heating

* width x depth x height

** Special voltages available on request

- dipping time can be set individually, automatic water filling system
- running speed and working direction can be set freely
- run-through switching without dipping function

ATT 1600



Shrinking procedure



Configuration features

- optimal insulation protection through double-walled stainless steel housing
- switchable heating elements guarantee efficiency and economy
- running speed of the automatic transport belt and working direction are freely selectable

The ATT 1600 is especially suitable for operations with high capacities. Powerful heating elements and interruption-free transport ensure optimal packaging results.

Max. product width	700 mm
Max. product height	300 mm
External dimensions	length approx. 1.60 m / 1.90 m with roller tracks
Connection exhaust air hose	Ø 90 mm
Water tank	approx. 200 liter
Weight	approx. 470 kg
Electrical connection	3 phases, 230/400 V, 50 Hz / 40 kW** 59 kW with additional heating
Heating system	steam / electric heating

** Special voltages available on request

- run-through switching without shrinking function
- dry running and overflow protection, automatic water filling system
- programmable controller with touch function and timer

T 1100 A



The T 1100 A dryer achieves optimal drying results through the use of a high-performance fan and a movable fan nozzles.

Max. product width	650 mm
Max. product height	250 mm
External dimensions	0.90 x 1.25 x 1.50 m*
Weight	approx. 200 kg
High-pressure fan	3 kW, 26 m ³ /min.
Electrical connections	3 phases, 230 / 400 V, 50 Hz / 3.1 kW**

* width x depth x height

** Special voltages available on request

Configuration features

- automatic transport belt, easily removal for optimal cleaning convenience
- product detection via photocell
- air nozzles can be aligned individually
- fan can be switched separately
- robust stainless steel construction, requires little maintenance
- intuitive control unit

T 1600 A



In the model T 1600 A the drying results are improved at high capacities through two high-performance fans and the flexibly adjustable fan nozzles.

Max. product width	700 mm
Max. product height	300 mm
External dimensions	length approx. 1.60 m / 1,90 m with roller tracks
Connection exhaust air hose	Ø 90 mm
Weight	approx. 460 kg
High-pressure fan	6 kW, approx. 52 m ³ /min.
Electrical connections	3 phases, 230 / 400 V, 50 Hz 6.1 kW**

** Special voltages available on request

Configuration features

- automatic transport belt, easily removal for optimal cleaning convenience
- product detection via photocell
- continuously variable setting of the running speed, working direction freely selectable
- air stream of the high-performance nozzles the be aligned individually
- stainless steel construction optimised for hygiene
- intuitive control panel
- run-through switching without drying is possible




CATEGORY: AUTOMATIC VACUUM MACHINES

TB 1 
Transport belt



Length	approx. 2.60 m
Belt width	0.70 m
Speed	approx. 1 m per second
External dimensions	1.00 x 2.65 x 0,85 - 1.20 m*

AS 2 / AS 3 
Draining stations as alternatives to the DT 1500 rotary plate.



External dimensions AS 2	1.00 x 0.74 x 0.80 - 1.10 m*
Weight	approx. 40 kg

External dimensions AS 3	1.50 x 0.74 x 0.80 - 1.10 m*
Weight	approx. 60 kg

DT 1500 
Rotary plate



External dimensions	∅ 1500 mm, 0.80 - 1.10 m***
Weight	approx. 75 kg
Electrical connections	1 phase, 230 V, 50 Hz / 0.70 kW**

Direction and speed of rotation can be set

ATT 46 A
Manual dipping tank for machines with manual removal.



Dipping basket size	600 x 400 mm
Immersion depth	250 mm
External dimensions	0.70 x 0.67 x 1.45 m*
Weight	approx. 110 kg
Electrical connections	3 phases, 230 / 400 V, 50 Hz 9,5 kW**

AT 1
Packing table



External dimensions	1.50 x 0.87 x 0.80-0.95 m*
Weight	approx. 80 kg

All dimensions are approximate.
We reserve the right to make technical changes and improvements without notice.

* width x depth x height
** Special voltages available on request
*** Other dimensions available on request

TITAN-F 1000 A / XL

with automatic transport belt



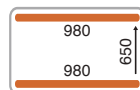
The machines of the TITAN A series are ideally suited for speeding up the packaging process through the automatic transport belt.

Internal chamber dimensions	1015 x 800 x 280 / 210 mm*
Seal length	980 / 980 mm
Vacuum pump	160 / 250 / 300 m ³ /h
External dimensions	1.33 x 1.13 x 1.1 m*
Weight	approx. 350 / 420 kg
Electrical connections	3 phases, 230 / 400 V, 50 Hz**

* Width x depth x height / effective height above the transport belt

** Special voltages available on request

Sealing system



Programmable sensor controller Z 3000

- intuitive control panel that is protected against sprayed water
- exact vacuum and gas sensor
- 99-programme memory
- vaporisation point detection, soft ventilation available
- quick stop button, button lock
- staged vacuum, vacuum shock function
- continuous running service program



Welding system

- high-pressure welding for optimal sealing pressure
- consistent results even with thicker types of bags
- standard double welding with double sealing seam
- optional separation of the bag overhang is possible
- individual initiation of the welding systems
- lifting mechanism without cables



Vacuum pump

- high-performance pump from Busch
- maximum vacuum value from 99.9 %
- various pump sizes available (160 / 250 / 300 m³/h)
- pump in oxygen version possible
- external setup possible



Transport belt

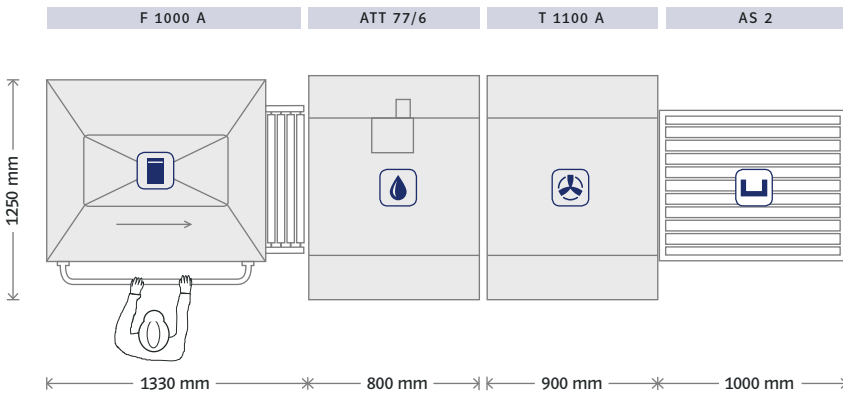
- automatic transport belt that is manually adjustable for height
- easy installation and dismantling for optimal cleaning conditions
- effective height above the transport belt up to 210 mm (optional)
- manual stainless steel roller track possible (optional)

Options / accessories

Gasification with long stainless steel nozzles · Simple cut-off sealing · Separately adjustable cut-off seal · Top/bottom sealing · Soft ventilation · Inspection glass in the lid · Automatic lid shift · Movable bridging roller track at the right and left side of the machine · Control from the side or the rear at a stainless steel arm

TITAN-F 1000 A / XL

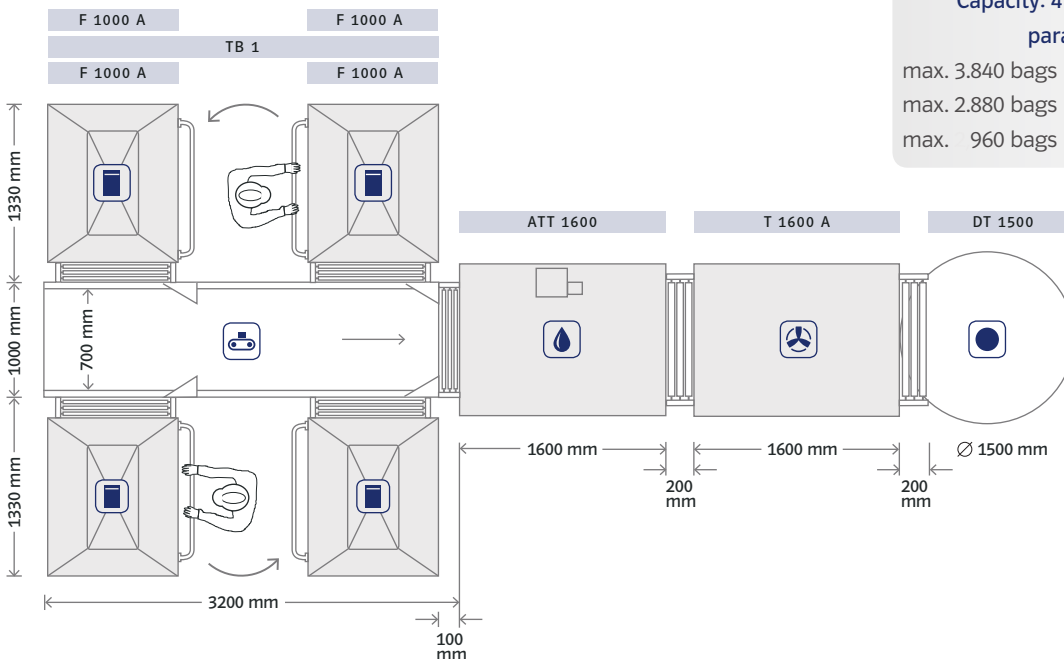
The modular construction of our packaging lines allows adaptation to individual needs in steps. At the maximum expansion stage we aim for a high capacity with the lowest amount of time required for operator attention. The module system allows integration into existing conveying systems.



Capacity: 1 vacuum machine, parallel sealing
 max. 960 bags per hour (230 x 350 mm)
 max. 720 bags per hour (300 x 400 mm)
 max. 240 bags per hour (400 x 500 mm)

Advantages

- cost-effective entry into the automation of packaging
- modular construction of the packaging line
- reduction of operator time required through short routes
- compact and ergonomic construction
- increase in packaging capacity through automated roller belt
- modular expansion with up to two machines is possible



Capacity: 4 vacuum machines, parallel sealing
 max. 3.840 bags per hour (230 x 350 mm)
 max. 2.880 bags per hour (300 x 400 mm)
 max. 960 bags per hour (400 x 500 mm)

Advantages

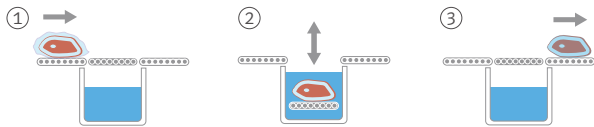
- modular construction with the TB 1 transport belt and up to four TITAN-F 1000 A / XL units is possible
- larger drying and shrinking tunnels possible
- reduction of operator time required through short routes
- integration into existing lines is possible
- maximum economy and efficiency
- parallel welding beam construction offers increased packaging capacity
- redundant system ensures process reliability
- modular expansion with up to eight machines is possible

ATT 46 A

Manual dipping tank for machines with manual removal



Shrinking procedure



Configuration features

- optimal insulation protection through double-walled stainless steel housing
- tipping dipping basket for easy cleaning
- user-friendly pushbutton

The ATT 46 A manual dipping tank offers an ideal entry into shrink-bag packaging. The powerful heating system can be adjusted by a thermostat that is protected against sprayed water. The generously-sized manual pushbutton offers optimal operating convenience.

Dipping basket size	600 x 400 mm
Immersion depth	250 mm
External dimensions	0.70 x 0.67 x 1.45 m*
Weight	approx. 110 kg
Electrical connections	3 phases, 230/400 V, 50 Hz/9.5 kW**
Heating system	Electric heating

* width x depth x height

** Special voltages available on request

- rollable plug-in unit, two rollers can be fixed
- thermostat that is protected against sprayed water
- powerful heating element

AT 1

packing table



The AT 1 packing table offers optimal support when filling bags. All the required packaging materials can be sorted and put down in a structured fashion.

The filling aid is especially suitable for the packaging of larger pieces of meat and can be adjusted for height.

External dimensions	1.50 x 0.87 x 0.80 - 0.95 m*
Weight	approx. 80 kg

* width x depth x height

Optionally available

- Bow at the rear for bag box
- Bag box, small (for vacuum bags max. 300 x 400 mm)
- Bag box, large (for vacuum bags max. 400 x 600 mm)
- TE 9 filling aid made of stainless steel
- Insertion plate / undershelf (width approx. 350 mm)

TB 1 

Transport belt



Length	approx. 2.60 m
Belt width	0.70 m
Speed	approx. 1 m per second
External dimensions	1.00 x 2.65 x 0.85 - 1.20 m*

AS 2 / AS 3 

Draining stations as alternatives to the DT 1500 rotary plate.



External dimensions AS 2	1.00 x 0.74 x 0.80 - 1.10 m*
Weight	approx. 40 kg

External dimensions AS 3	1.50 x 0.74 x 0.80 - 1.10 m*
Weight	approx. 60 kg

DT 1500 

Rotary plate



External dimensions	Ø 1500 mm, 0.80 - 1.10 m***
Weight	approx. 75 kg
Electrical connections	1 phase, 230 V, 50 Hz / 0.70 kW**

Direction and speed of rotation can be set

All dimensions are approximate.
We reserve the right to make technical changes and improvements without notice.

* width x depth x height

** Special voltages available on request

*** Other dimensions available on request