

vegatronic

1000

inclined



www.ilapak.com



PACKAGING MACHINERY

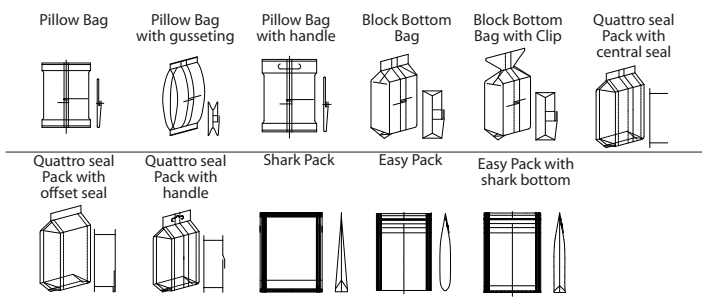
TECHNICAL SPECIFICATIONS	S	P	SP
Machine speed	70 cpm	70 cpm	70 cpm
Bag size			
WIDTH MIN	50mm-2.0"	50mm-2.0"	50mm-2.0"
WIDTH MAX	370/380*mm-14.5/15.0"	360/370*mm-14.1/14.5"	Same as per S or P
LENGTH (greater length feasible on request)	380mm-15.0"	380mm-15.0"	380mm-15.0"
Wrapping materials	Heat sealable materials, such as polypropylene, barrier films, laminates, as well as polyethylene films.		
Film reel dimensions			
REEL WIDTH MAX	780/830*mm-30.7/32.7"	780/830*mm-30.7/32.7"	780/830*mm-30.7/32.7"
REEL OUTER Ø MAX	500mm-19.7"	500mm-19.7"	500mm-19.7"
REEL CORE Ø MAX	76mm-3.0"	76mm-3.0"	76mm-3.0"
Film reel max weight	100kg-220lbs	100kg-220lbs	100kg-220lbs
Sealing system	Brushless motor driven horizontal sealing jaws-Pneumatic vertical seal bar		
	Standard heat-seal jaws and vertical seal bar	Ilaseal or Ilatherm constant/ impulse heating	Both S & P system
Electronic platform	PLC Omron for USA & Canada, in particular Allen Bradley platform available		
Program memory	40 programs		
HMI	5" monocolour touch screen		
Power req. (optional excluded)	AC 400 V+/-5%, 3 phase, neutral, 50Hz, 4.2 kW, 6.5 A		
Compressed air	350-500NI/min, 7 bar-101.5 psi	500-900NI/min, 7 bar-101.5 psi	Same as per S or P
Machine finish	Electrostatic epoxy powder coating-Stainless steel version *		
Machine handing	Right hand version, left hand version *		
Machine dimensions	(Width x Depth x Height) 1280 x 2325 x 1285 mm - 50.4" x 91.5" x 50.6"		
Machine weight	Approx. 800kg – 1763lbs		

* optional

MAIN FEATURES

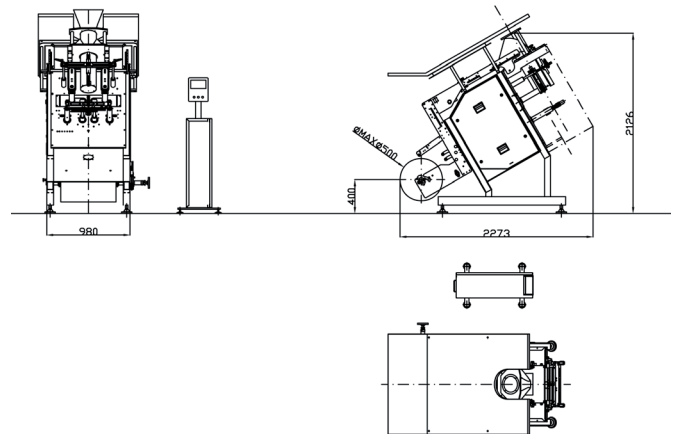
- Gentle product handling with fixed angle PLC-controlled machine with touch-screen display
- Multi-language interface
- Easily programmable 40 product recipes
- Digital speed display
- Integrated temperature control
- Machine diagnostics
- Access password
- Robust mechanical construction
- Configuration for PE and heat-sealable films
- Motor driven horizontal jaw carriage
- Quick bag size change-over
- Adjustable sealing jaw pressure and opening
- Bag length electronically measured and adjustable
- No-fill-no-bag function
- Complete synchronization of ancillary equipment such as weigher, printer, labeller, dosers, etc.

PACK STYLES



Please discuss your needs with our local representative to configure these machines to your product's specific requirements.

ILAPAK is ISO 9001:2000 certified



All measurements not specified in inches are given in millimeters.

These specifications are not binding. We reserve the right to change them without prior notice.