



DEFEATHERING MACHINE



foodmate
Poultry Processing Systems

The defeathering machine is developed for removing the feathers from several types of poultry.

The machine is available in several sizes and all plucking rows are separately adjustable in all directions.

For cleaning and maintenance one side of the machine can be opened, so good access is assured.

Available in 2 and 3 rows on each side. Optional a bottom row is available.

Standard in stainless steel execution.

The discs are belt driven, assuring a smooth and low noise operation.



Our mission is to innovate, automate and bring cost-effective solutions to the industry.



DEFEATHERING MACHINE

Key Benefits:

- Available in different lengths
- Each row can be adjusted individually
- Easy to maintain and clean

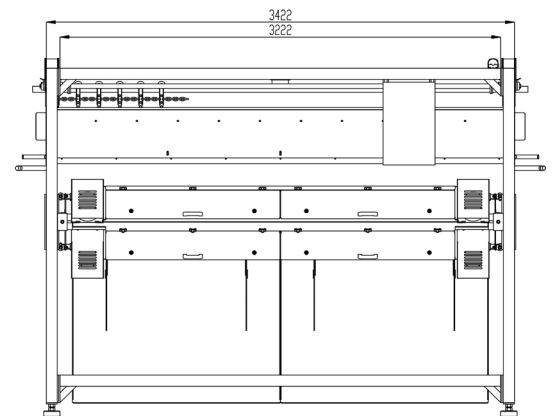
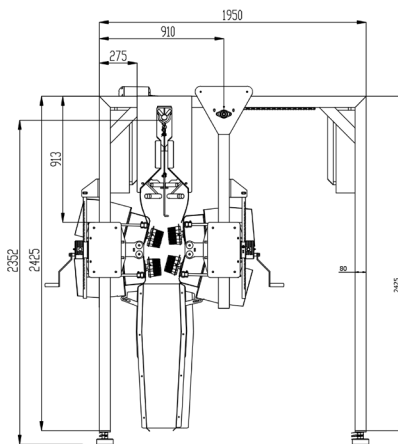
Foodmate is an equipment manufacturing company based in the Netherlands. Founded in 2006, we focus primarily on poultry processing, and we recently launched Foodmate US, expanding our worldwide distribution into North America. Driven by research, paired with unmatched knowledge and decades of experience, it's our mission to innovate, automate and bring cost-effective solutions to the industry.

Our product line spans a wide assortment of processing equipment designed for live bird handling, killing and de-feathering, eviscerating, chilling, weighing, cut-up systems, deboning, and more. In addition to manufacturing, we provide an extensive variety of spare parts and service for other processing equipment and reconditioned machines.

Our team represents decades of industry knowledge and experience resulting in the engineering, development and implementation of new designs for our clients and their ever-changing needs.

Technical Specifications:

- Stainless steel frame and motor
- Motor (IP66) power: depending on nr of discs
- Water connection: 1,0 m3/hr
- Machine dimensions:
 - Length: depending on nr of discs
 - Width: 1950 mm
 - Height: 2425 mm
 - Weight: depending on nr of discs



FOODMATE B.V.
Röntgenstraat 18 • 3261 LK Oud-Beijerland
P.O. Box 1405 • 3260 AK Oud-Beijerland
The Netherlands
Phone: +31-186 630240 • Fax: +31-186 630249
info@foodmate.nl
www.foodmate.nl

FOODMATE US, Inc.
300 Wilbanks Drive, Ball Ground, GA 30107
P.O. Box 4116, Canton, GA 30114
U.S.A.
Phone: +1-678-819-5270 (U.S.) • Fax: +1-678-819-5273
info@foodmateusa.com
www.foodmateus.com



foodmate