



## DS-100 DESKINNER



foodmate

Poultry Processing Systems

The Foodmate DS-100 Automatic Chicken Deskinner is the optimal machine for deskinning the following chicken products:

- Breast Fillets
- Thighs
- Drumstick
- Whole Leg

The machine requires minimal maintenance and is easy to clean.



Our mission is to innovate, automate and bring cost-effective solutions to the industry.



## DS-100 DESKINNER

### Key Benefits:

- Allows for a maximum of 17 meter per minute

Foodmate is an equipment manufacturing company based in the Netherlands. Founded in 2006, we focus primarily on poultry processing, and we recently launched Foodmate US, expanding our worldwide distribution into North America. Driven by research, paired with unmatched knowledge and decades of experience, it's our mission to innovate, automate and bring cost-effective solutions to the industry.

Our product line spans a wide assortment of processing equipment designed for live bird handling, killing and de-feathering, eviscerating, chilling, weighing, cut-up systems, deboning, and more. In addition to manufacturing, we provide an extensive variety of spare parts and service for other processing equipment and reconditioned machines.

Our team represents decades of industry knowledge and experience resulting in the engineering, development and implementation of new designs for our clients and their ever-changing needs.

### Technical Specifications:

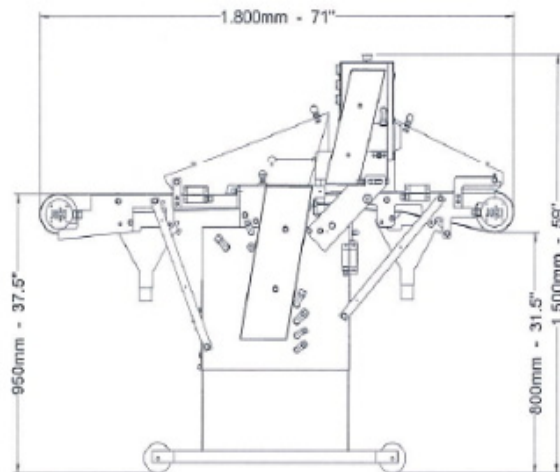
- Stainless steel frame and motor
- Voltage is 2,25 kW, 50/60 Hz
- Machine dimensions

Length: 1800 mm

Width: 710 mm

Height: 1500 mm

Weight: approx. 340 Kg



FOODMATE B.V.  
Röntgenstraat 18 Oud-Beijerland  
P.O. Box 1405 • 3260 AK Oud-Beijerland  
The Netherlands  
Phone: +31-186630240 • Fax: +31-186630249  
info@foodmate.nl  
www.foodmate.nl

FOODMATE US, Inc.  
300 Wilbanks Drive, Ball Ground, GA 30107  
P.O. Box 4116, Canton, GA 30114  
U.S.A.  
Phone: 678-819-5270 (U.S.) • Fax: 678-819-5273  
info@foodmateusa.com  
www.foodmateusa.com



foodmate