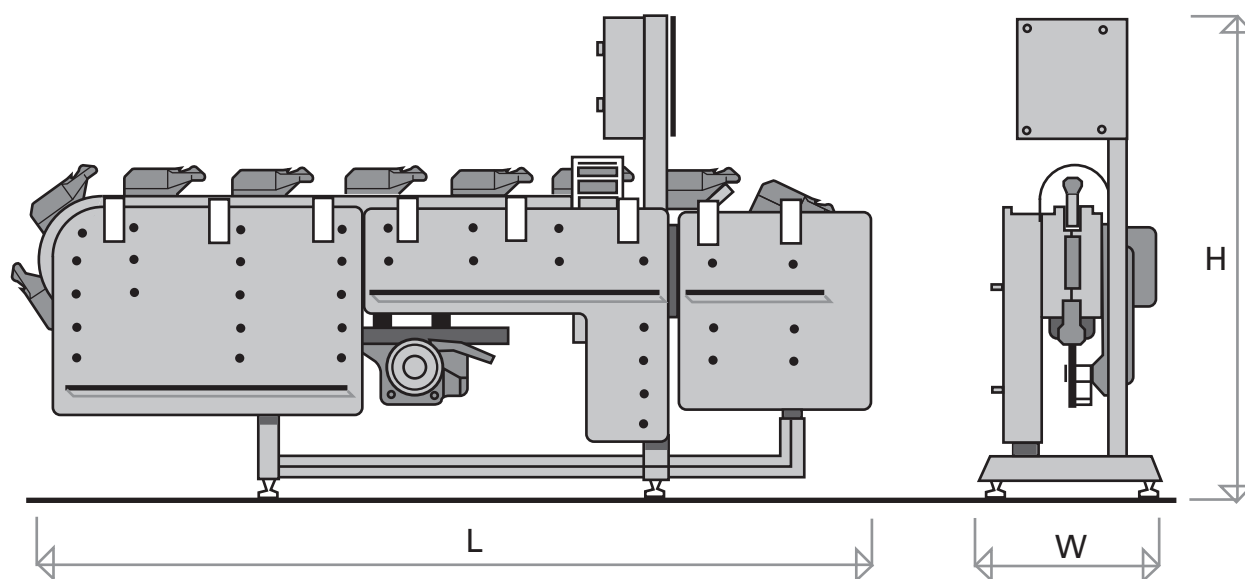


# Meyn BF2000 front half filleting machine



Technical Data Sheet

Capacity	BPH	2,400
Product weight	gr	400-750
	gr	500-1,000
Length (L)	mm	2,840
Width (W)	mm	610
Height (H)	mm	1,700
Weight	kg	800
Electric power installed	kW	1x 1.5
Water connection (for cleaning)	BSP	3/8"
Option:	SL deskinner	

## Head office:

Meyn Food Processing Technology B.V.  
Noordeinde 68, 1511 AE Oostzaan  
P.O. Box 16, 1510 AA Oostzaan  
The Netherlands

**T:** +31 (0) 75 - 684 3355  
**F:** +31 (0) 75 - 684 4150  
**I:** www.meyn.com

**MEYN**

Poultry Processing Solutions

# Meyn BF2000 front half filleting machine

- Products show a very high yield.
- Large weight range to be processed.
- Can easily be integrated.

