

Reverse wrapper W400

for ARCTIC EX extrusion line



Application

- Continuous flow-wrapping of ice cream products. Wrapping machine W400 is a result of latest development in packaging of stick and stickless products.
- Fully "electronic wrapper", controlled by Siemens touch screen PLC, driven by servomotors.
- Maximum speed: up to 9 000 pcs/hour
- Wrapping machine W400 can be linked to any type of extrusion line, being synchronised via PLC unit and encoder.
- Pneumatic components FESTO.

Standard equipment

- Stainless steel sanitary constructed heavy duty frame
- Swinging pendant – mounted control panel, including Siemens PLC system and touch screen
- Seal rollers and cutting jaws independently driven by servomotors
- Automatic rollers and jaws opening when machine stopped
- Picture-in-place system to work in conjunction with wrapping material requiring photocell registration
- Suitable for hot and cold seal, and all wrapping materials
- Double reel holder
- Programmable signal to synchronize ink jet data printer
- Pneumatic jogger for exact product positioning
- Adjustable folding box
- Recipes – wrapped product parameters can be stored at PLC and easily recalled when needed
- Fully synchronised production for any kind of wrapped ice cream product

Advantages compared to standard systems

- Product placed directly onto wrapping foil – no contact with wrapper parts
- System is designed to meet the highest standards of sanitation required by food industry
- No damage of product during wrapping cycle
- Number of rejects significantly reduced
- Fully electronic setting of parameters – cutting pitch, jaws temperature, product position inside bag etc.
- Machine can be placed at any part of pick-up device, thus minimizing space requirements

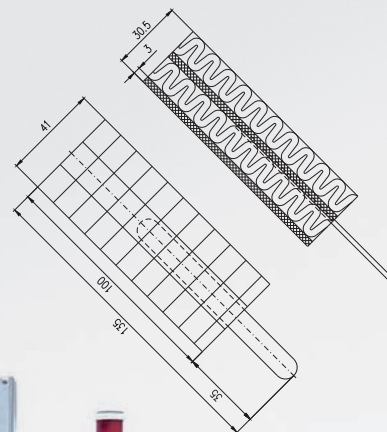
**Create Your Ideas,
We Will Find Solutions!**

Reverse wrapper W400 for ARCTIC EX extrusion line

Technical data

Hourly production	pcs/hour	9 000 max.
Reel diameter	mm	250 max.
Product dimensions	mm	200 (l) x 90 (w) x 70 (h)
Installed power	kW	4,0
Weight	kg	1 000
Wrapper dimensions	mm	2 150 (l) x 1 200 (w) x 1950 (h)

Recommended wrapping material: Polypropylene film type MOBIL OPP MB 666, thickness 26–40 micron



VOJTA s.r.o. product technology is under continuous development. Therefore we reserve the right to amend the information given in this brochure without prior notice.

VOJTA s.r.o.

Bratří Čapků 1844/17, 101 00 Praha 10, Czech Republic
Tel: +420 272 651 533, Fax: +420 272 651 534, Email: vojta@vojta-equipment.com
www.vojta-equipment.com