

astra pc

astra



www.ilapak.com



PACKAGING MACHINERY

TECHNICAL SPECIFICATIONS

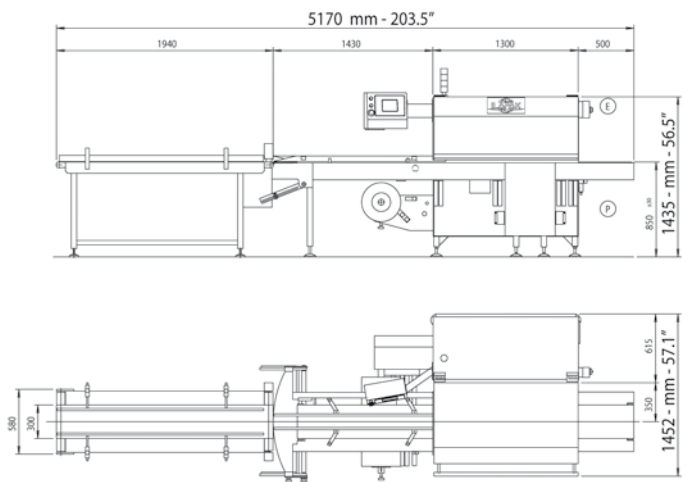
Machine speed	Up to 50 cycles per minute
Film linear speed	Up to 18m/min with indexer Up to 20m/min manual feeding Production output depends on film sealability and product characteristics
Product dimensions	
LENGTH	Up to 650mm - 25.6" Up to 1200mm - 47.2"
WIDTH	Up to 300mm - 12" (jaw width 345mm - 13.6")
HEIGHT	Up to 240mm - 9.4"
Film cut off	Min 100mm - 4"/∞ Depending on film and product characteristics
Wrapping materials	Laminated, co-extruded and all sealable films
Film reel dimensions	
CORE Ø	76.2mm - 3" standard 152.4mm - 6" on request
OUTER Ø	350mm - 13.8"
WIDTH	800mm - 31.5" standard 900mm - 35.4" on request
Film reel max weight	Depending on film reel width, up to 75kg - 165lbs
Electronic platform	Industrial PC
Power requirement	From 220 to 480V, 50/60Hz, 5kVA
Compressed air	6 bar, 200 l/min
Machine weight	1100kg - 2425lbs

MAIN STANDARD FEATURES

- Inverted machines with box-motion sealing head.
- 3 AC motors to control indexer, rollers, jaws.
- User friendly 6" colour VGA touch screen operator interface with intuitive icons.
- 128 programs (additional memory on request)
- Automatic product size change.
- Integrated temperature control.
- Electronic diagnostic on-board.
- Variable bag length.
- No product/ no bag.
- Misplaced product detection system.
- I/O for peripheral units (printer, labelers, gas control, etc.)
- Motorized single belt product indexer, 2m long, standard.
- Single film reel mounting with self-centering cones, right hand machine version, 2m long infeed including single indexer, standard.
- Robust, hygienic, easy to clean design, stainless steel finishing standard.

Please discuss your needs with our local representative to configure these machines to your product's specific requirements.

ILAPAK is ISO 9001:2000 certified



All measurements not specified in inches are given in millimeters.

These specifications are not binding. We reserve that right to change them without prior notice.