



- This is a steel frame made of two struts connected to each other by a base so as it can be easily detached. The sturdy properties of this frame enable you to lift very heavy weight (bowl-trolleys with capacities between 120 and 300 kg)
- Electrical and mechanical drive devices ensure safety on all elevator functions
- Trolleys lock in secure fasteners for safe and practical lifting
- Lift is wheel-mounted and after its final installation can be fixed to the floor
- Ascent can be semi-automatic with jogged tipping or automatic with complete unloading
- Accident prevention guard rail and ascent speed are in compliance with the safety standards
- Control panel and electrical installation are protection category IP 55; motors are IP 54
- **The machine is built to comply with the accident prevention, hygiene and electric standards in force**
- **Use other than envisaged by the manufacturer are forbidden without the latter's authorization**

SRD

DOUBLE COLUMN ELEVATOR
FOR BOWL-TROLLEYS ISA 120-160-200-250-300 FAST

pietrobeto

BAKERY AND PASTRY EQUIPMENT

TECHNICAL FEATURES

Installed power: kw 1,5 / 2,2 (*) (*) : only for bowls of 250 and 300 kg.

Voltage: 230V/50Hz,3+T
400V/50Hz,3+T
220V/60Hz,3+T

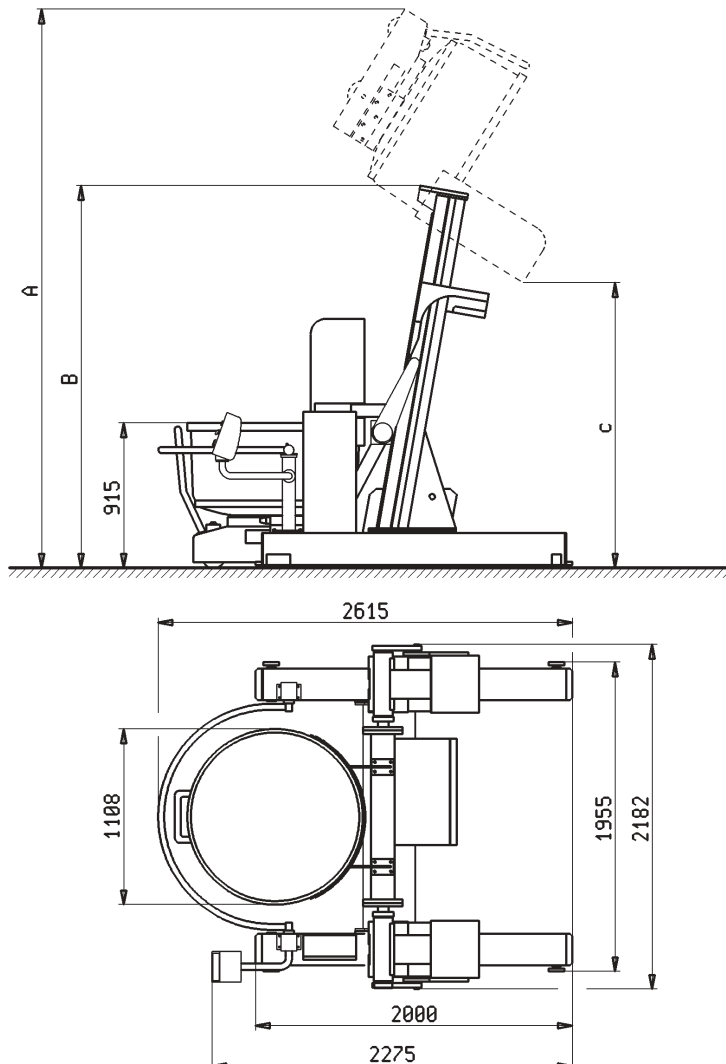
Weight: kg 960 (SRD14) kg 1020 (SRD18) kg 1080 (SRD21)
kg 1190 (SRD26) kg 1250 (SRD29)

FUNCTIONING

After completing installation, the bowl holder trolley can be engaged with the trolley holder device and then the accident-prevention guard is lowered.

On the control panel, select the semi-automatic lifting cycle with automatic ascent up to a given level, then manual up to unloading level as desired, or the automatic cycle with complete lifting-tipping. After the descent command, floor level will be reached.

Dimensions in millimeters



MODELLO	A	B	C
SRD 14	3127	2017	1402
SRD 18	3525	2415	1800
SRD 21	3825	2715	2100
SRD 26	4315	3200	2585
SRD 29	4610	3494	2880